

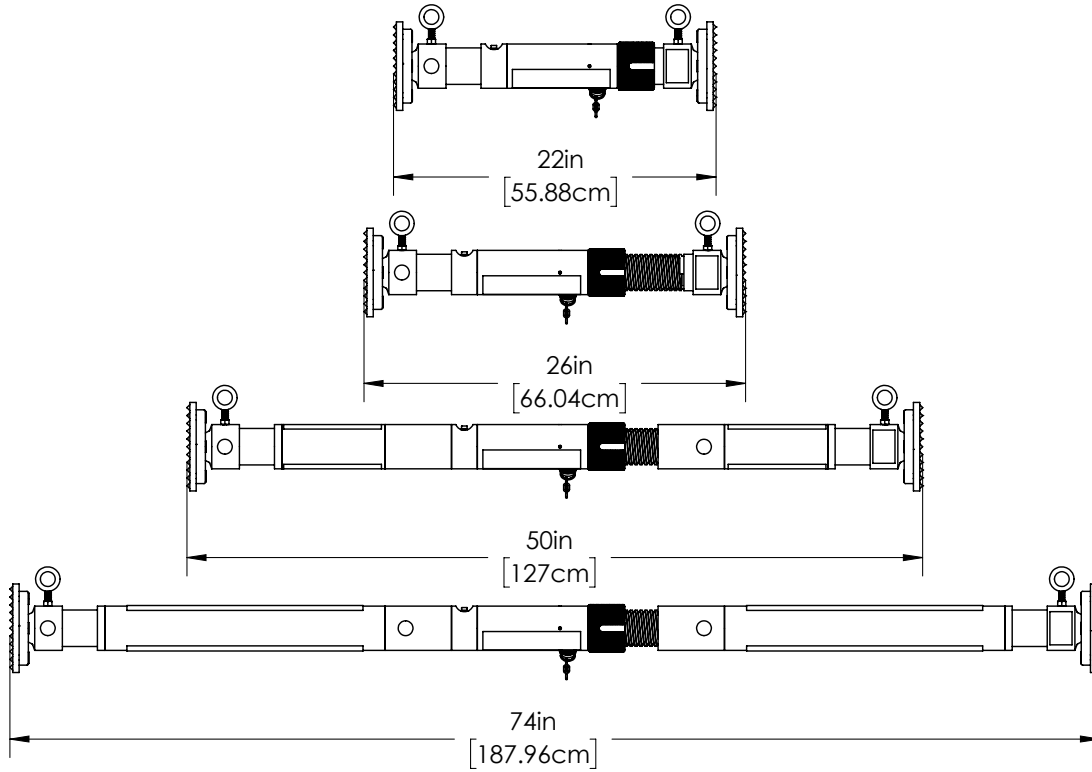
TECHNICAL DATA SHEET

DATE UPDATED:
4/17/2017



TITLE:
18" TRENCH SHORE

PART NO.
SPX-18ST



18" TRENCH SHORE COLUMN WLL			
LENGTH	WLL (2:1 SAFETY FACTOR)	LENGTH (METRIC)	WLL (2:1 SAFETY FACTOR) (METRIC)
22"	39,500 LBS	55.88cm	17,916 Kgs
26"	38,400 LBS	66.04cm	17,417 Kgs
50"	30,600 LBS	127.00cm	13,879 Kgs
74"	25,150 LBS	187.96cm	11,407 Kgs

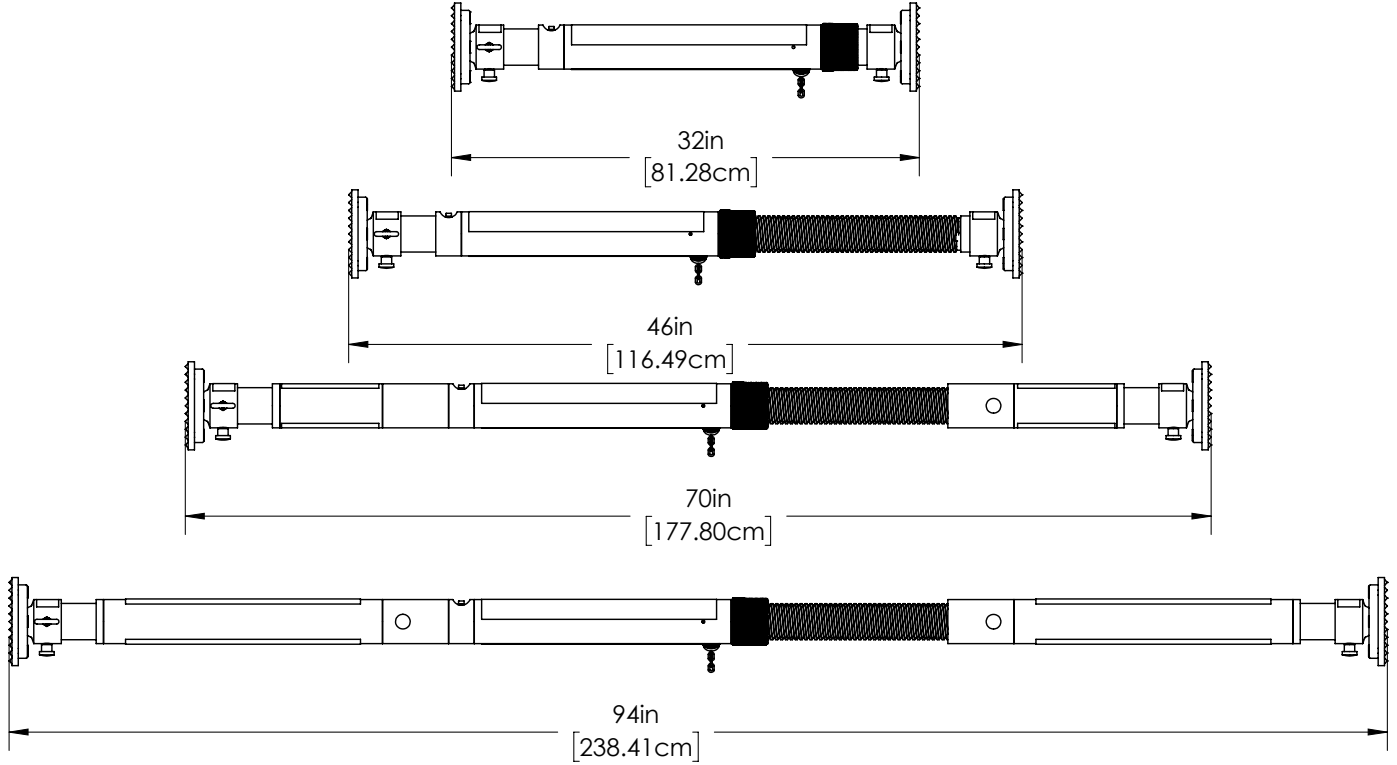
TECHNICAL DATA SHEET

DATE UPDATED:
4/17/2017



TITLE:
28" TRENCH SHORE

PART NO.
SPX-28ST



28" TRENCH SHORE COLUMN WLL			
LENGTH	WLL (2:1 SAFETY FACTOR)	LENGTH (METRIC)	WLL (2:1 SAFETY FACTOR) (METRIC)
32"	36,400 LBS	81.28cm	16510 kgs
46"	31,900 LBS	116.84cm	14469 Kgs
70"	26,000 LBS	144.80cm	11793 Kgs
94"	14,180 LBS	238.76cm	6431 Kgs

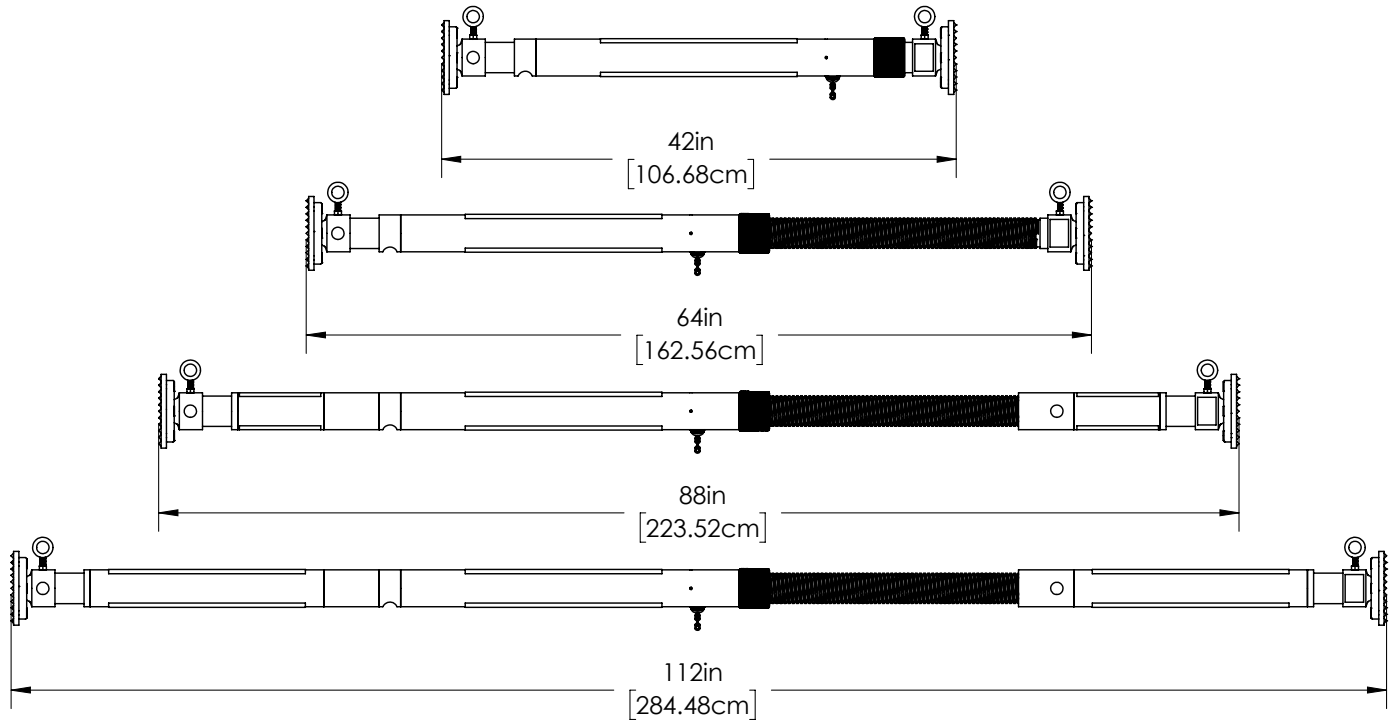
TECHNICAL DATA SHEET

DATE UPDATED:
4/17/2017



TITLE:
38" TRENCH SHORE

PART NO.
SPX-38ST



38" TRENCH SHORE COLUMN WLL			
LENGTH	WLL (2:1 SAFETY FACTOR)	LENGTH (METRIC)	WLL (2:1 SAFETY FACTOR) (METRIC)
42"	33,200 LBS	106.68cm	15,059 Kgs
64"	27,400 LBS	162.56cm	12,428 Kgs
88"	17,400 LBS	223.52cm	7,892 Kgs
112"	10,400 LBS	284.48cm	4,717 Kgs