

# TECHNICAL DATA SHEET

DATE UPDATED:  
10/2/2018

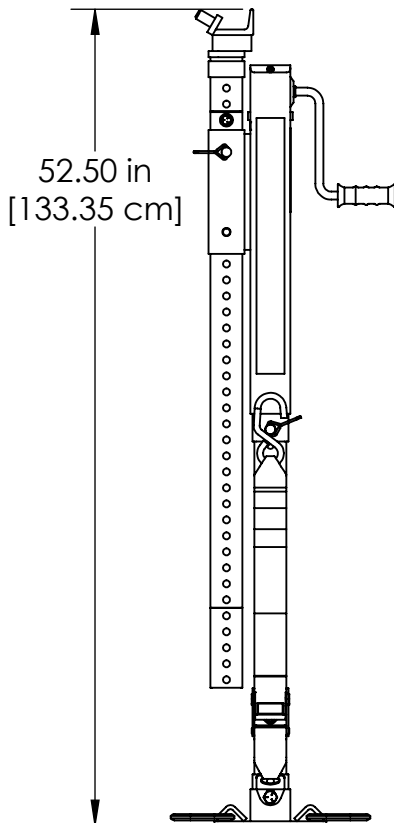
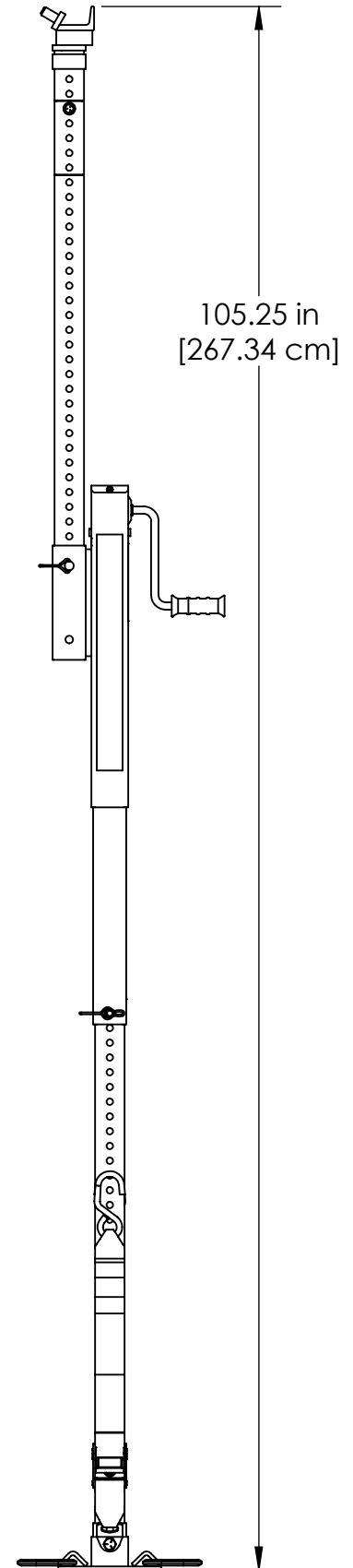
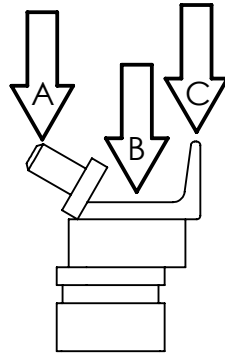
REV:  
A



TITLE:  
RJ3 JACK STAND

PART NO.  
RJ3-(D)JKST

LOAD RATING (2:1 SAFETY FACTOR)			
LOCATION		WLL (lbs)	WLL (kgs)
A	ROUND POINT	4,000	1,814
B	COLUMN	4,000	1,814
C	CHAIN GRAB	3,100	1,406
LIFTING WLL		4,000	1,814



STRUT WEIGHT: 52 lbs/23.59 kg

# TECHNICAL DATA SHEET

DATE UPDATED:  
10/2/2018

REV:  
A

TITLE:  
RJ3 JACK STAND

PART NO.  
RJ3-(D)JKST



## STORAGE

