

TECHNICAL DATA SHEET

DATE UPDATED:
10/15/2018

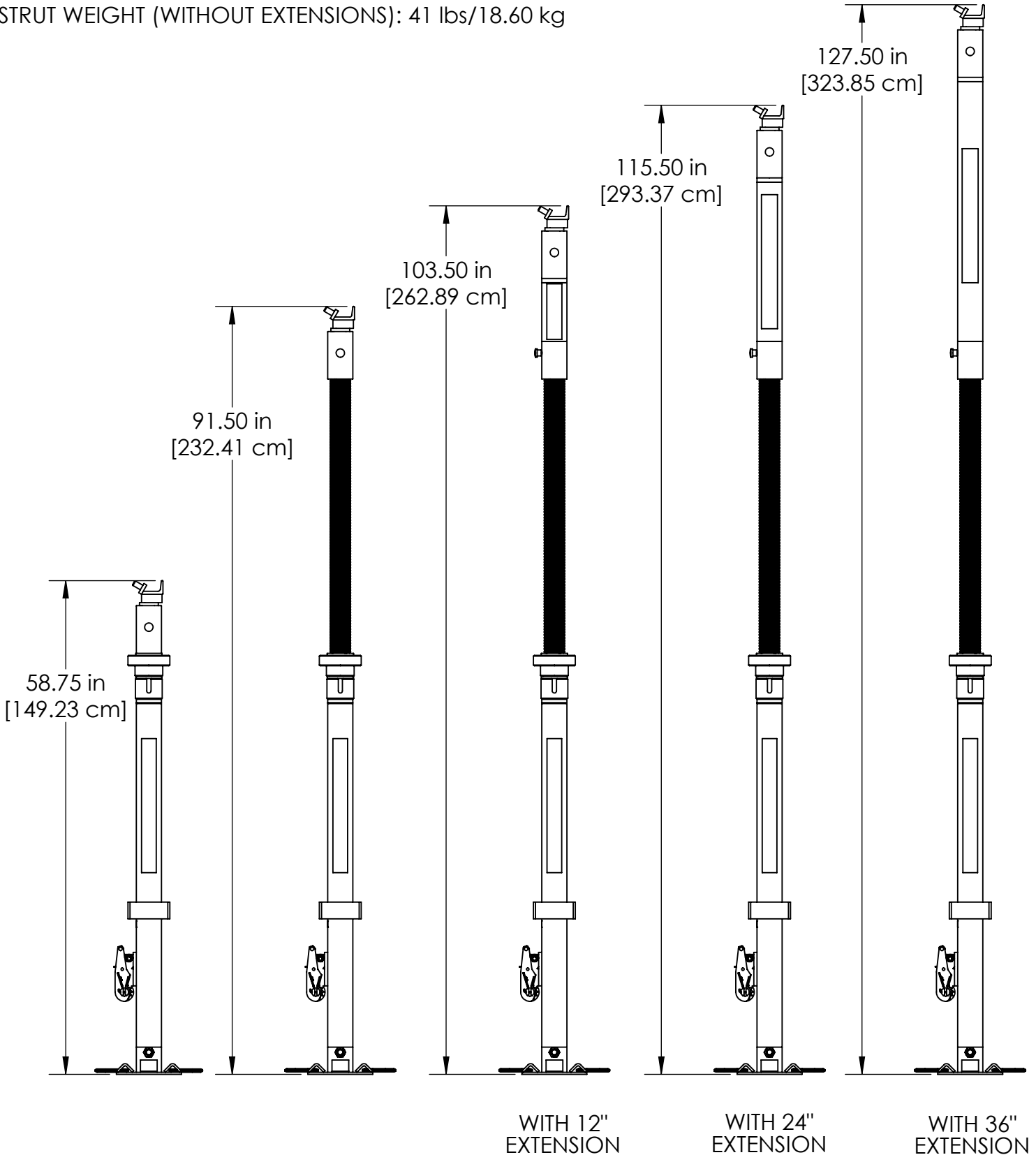
REV:
C



TITLE:
LONG APEX STRUT

PART NO.
APX-LSTRT

STRUT WEIGHT (WITHOUT EXTENSIONS): 41 lbs/18.60 kg



TECHNICAL DATA SHEET

DATE UPDATED:
10/15/2018

REV:
C

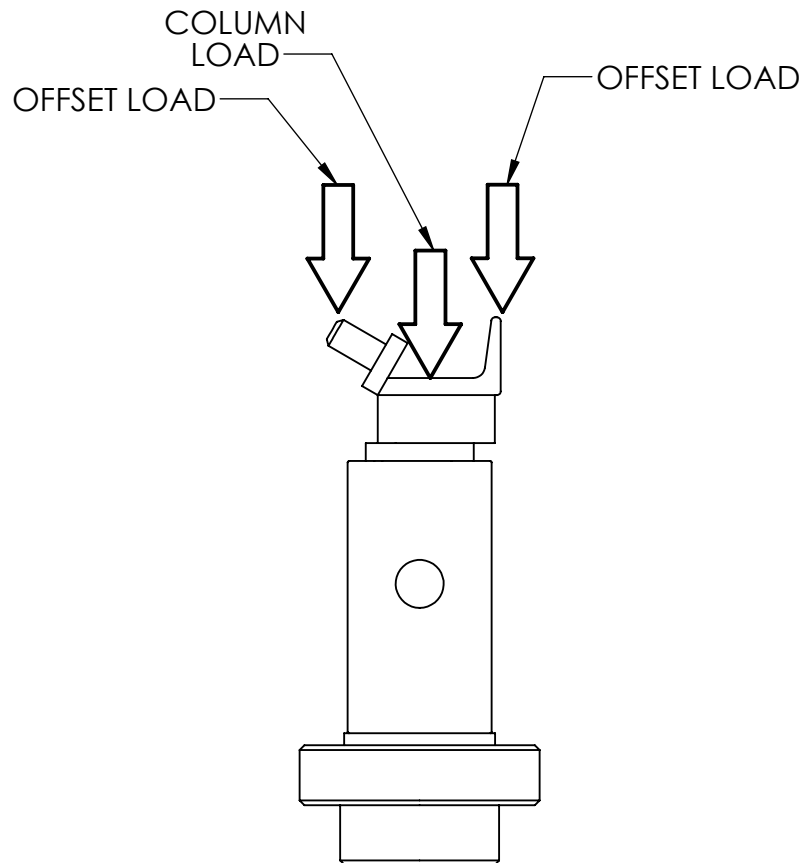


TITLE:
LONG APEX STRUT

PART NO.
APX-LSTRT

LOAD RATING (2:1 SAFETY FACTOR)

	HEIGHT (in)	HEIGHT (cm)	COLUMN (lbs)	OFFSET (lbs)	COLUMN (kgs)	OFFSET (kgs)
SHORT STRUT: COLLAPSED - EXTENDED	45.17-62.75	114.62-159.39	12,500	6,900	5,669	3,129
SHORT STRUT: EXTENDED WITH 12" EXTENSION	74.75	189.87	9,400	5,400	4,263	2,449
SHORT STRUT: EXTENDED WITH 24" EXTENSION	86.75	220.34	7,360	3,790	3,338	1,719.11
SHORT STRUT: EXTENDED WITH 36" EXTENSION	98.75	250.82	5,800	2,900	2,630	1,315
LONG STRUT: COLLAPSED - EXTENDED	58.75-91.5	149.23-232.41	7,750	5,200	3,515	2,358
LONG STRUT: EXTENDED WITH 12" EXTENSION	103.5	262.89	5,400	3,700	2,449	1,678
LONG STRUT: EXTENDED WITH 24" EXTENSION	115.5	293.37	3,900	2,760	1,769	1,251.91
LONG STRUT: EXTENDED WITH 36" EXTENSION	127.5	323.85	3,270	2,630	1,483.24	1,192.94



TECHNICAL DATA SHEET

DATE UPDATED:
10/15/2018

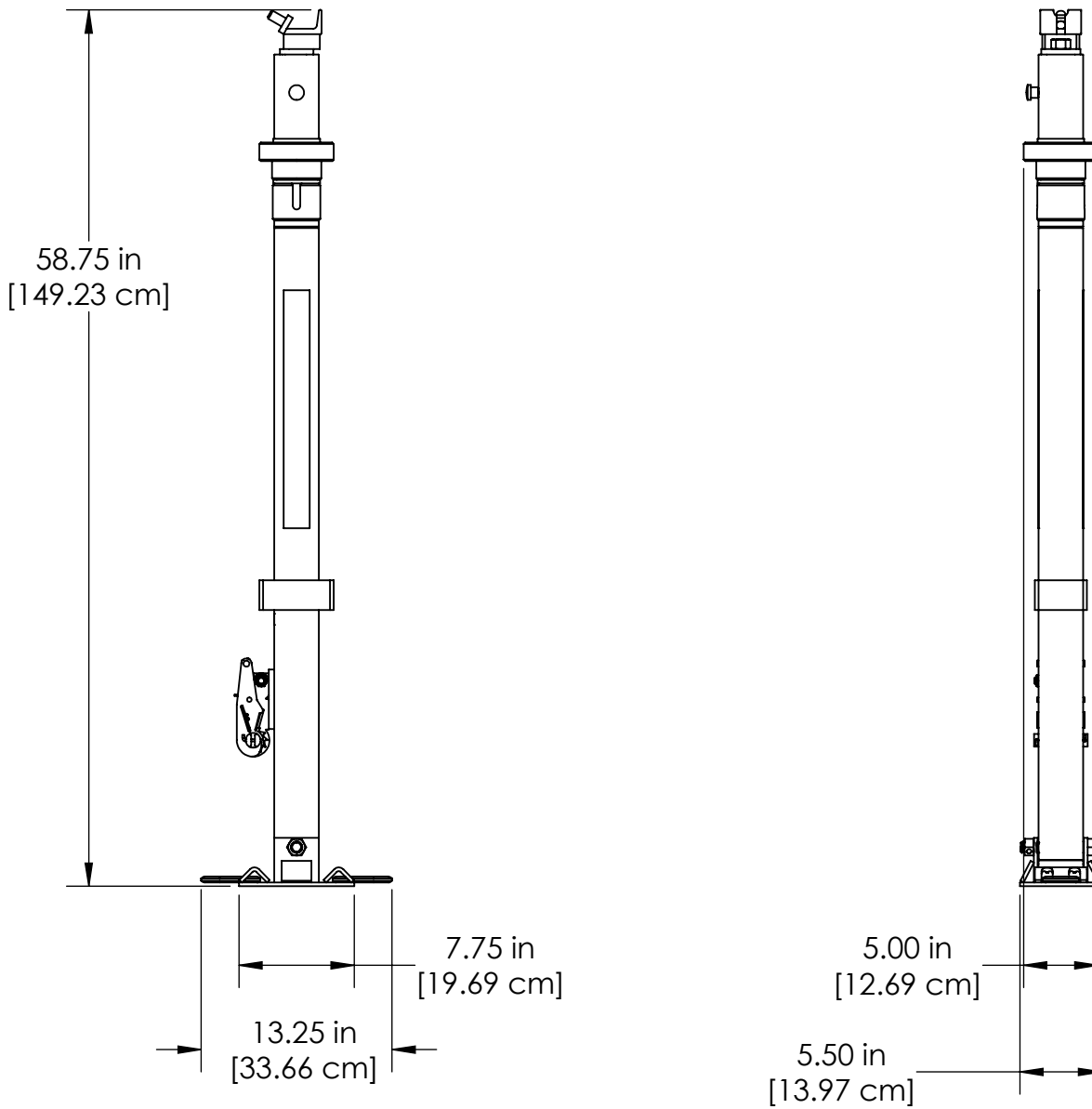
REV:
C



TITLE:
LONG APEX STRUT

PART NO.
APX-LSTRT

STORAGE



TECHNICAL DATA SHEET

DATE UPDATED:
10/15/2018

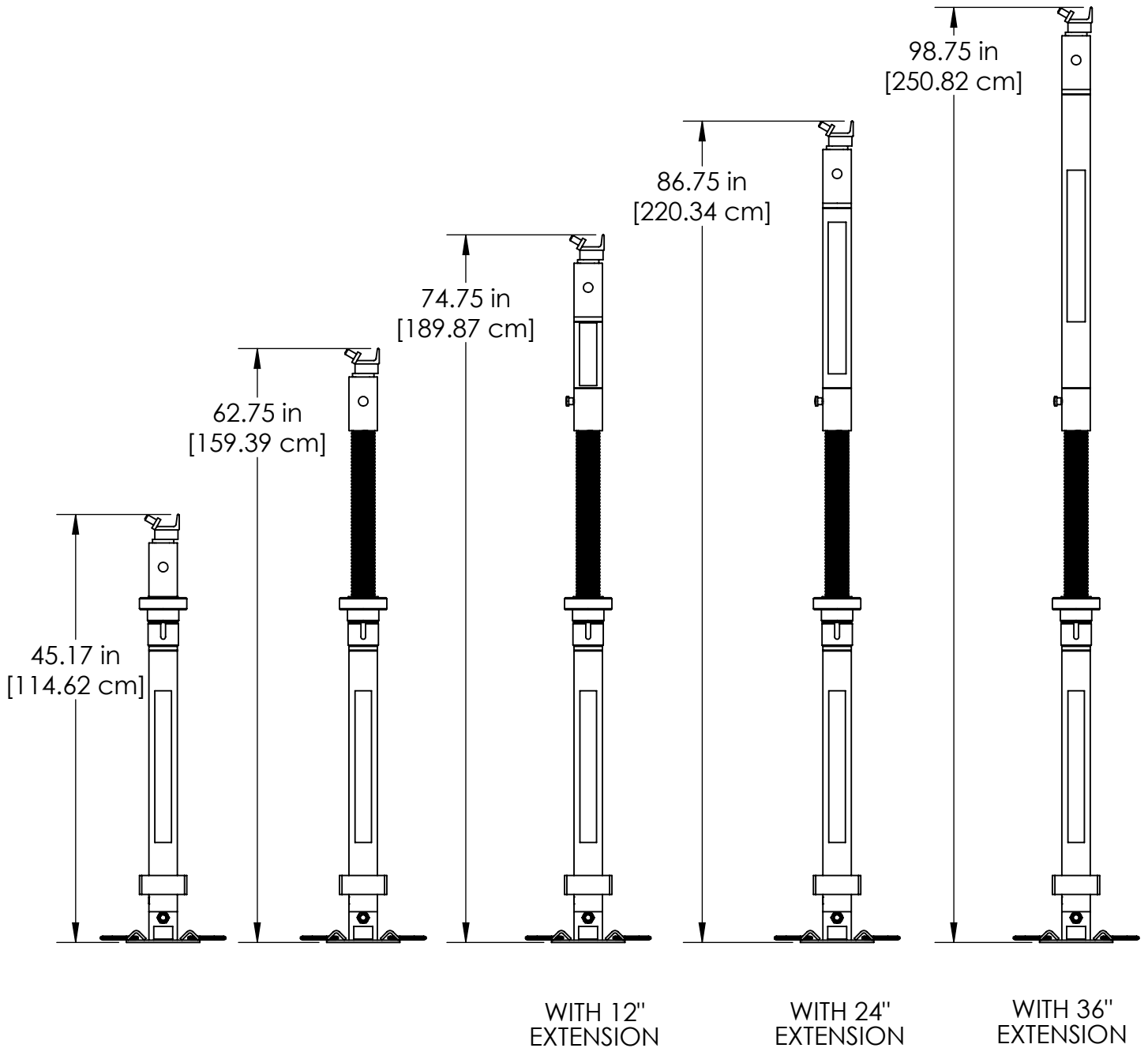
REV:
C



TITLE:
SHORT APEX STRUT

PART NO.
APX-SSTRT

STRUT WEIGHT (WITHOUT EXTENSIONS): 33 lbs/14.97 kg



TECHNICAL DATA SHEET

DATE UPDATED:
10/15/2018

REV:
C

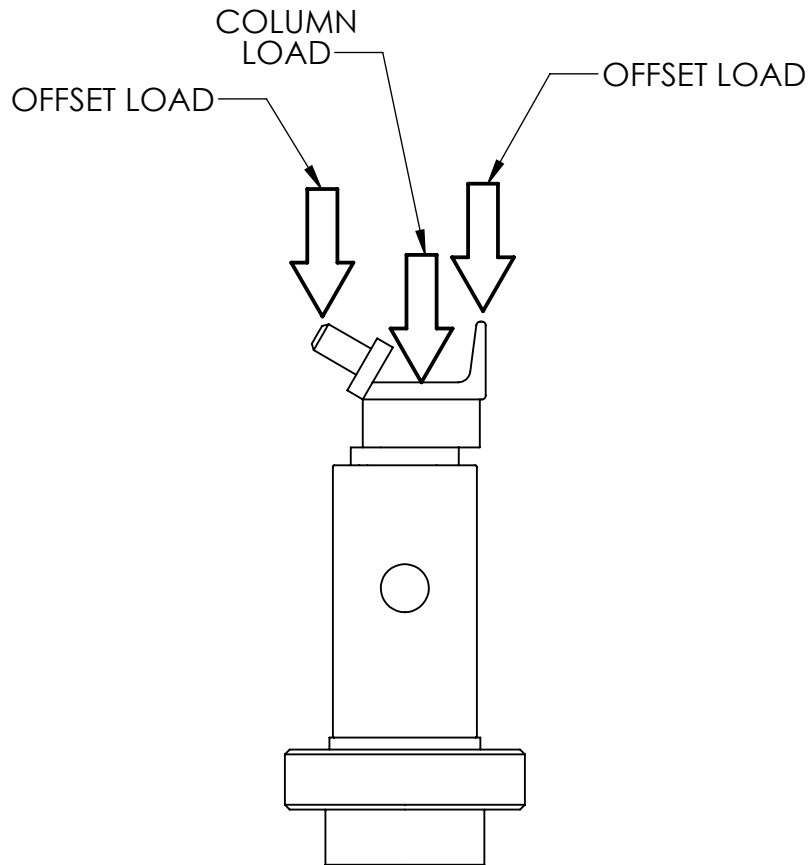


TITLE:
SHORT APEX STRUT

PART NO.
APX-SSTRT

LOAD RATING (2:1 SAFETY FACTOR)

	HEIGHT (in)	HEIGHT (cm)	COLUMN (lbs)	OFFSET (lbs)	COLUMN (kgs)	OFFSET (kgs)
SHORT STRUT: COLLAPSED - EXTENDED	45.17-62.75	114.62-159.39	12,500	6,900	5,669	3,129
SHORT STRUT: EXTENDED WITH 12" EXTENSION	74.75	189.87	9,400	5,400	4,263	2,449
SHORT STRUT: EXTENDED WITH 24" EXTENSION	86.75	220.34	7,360	3,790	3,338	1,719.11
SHORT STRUT: EXTENDED WITH 36" EXTENSION	98.75	250.82	5,800	2,900	2,630	1,315
LONG STRUT: COLLAPSED - EXTENDED	58.75-91.5	149.23-232.41	7,750	5,200	3,515	2,358
LONG STRUT: EXTENDED WITH 12" EXTENSION	103.5	262.89	5,400	3,700	2,449	1,678
LONG STRUT: EXTENDED WITH 24" EXTENSION	115.5	293.37	3,900	2,760	1,769	1,251.91
LONG STRUT: EXTENDED WITH 36" EXTENSION	127.5	323.85	3,270	2,630	1,483.24	1,192.94



TECHNICAL DATA SHEET

DATE UPDATED:
10/15/2018

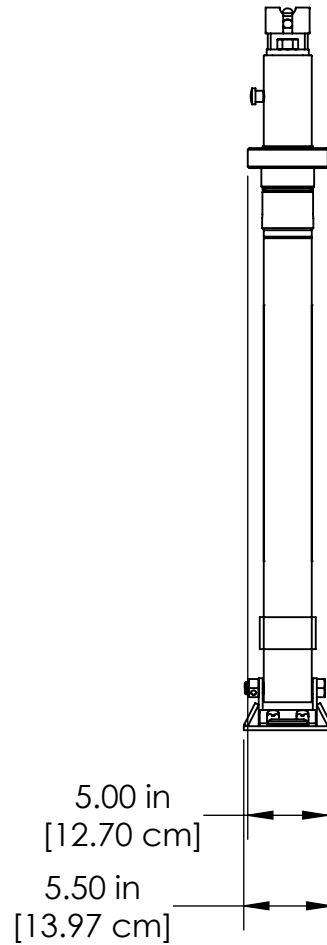
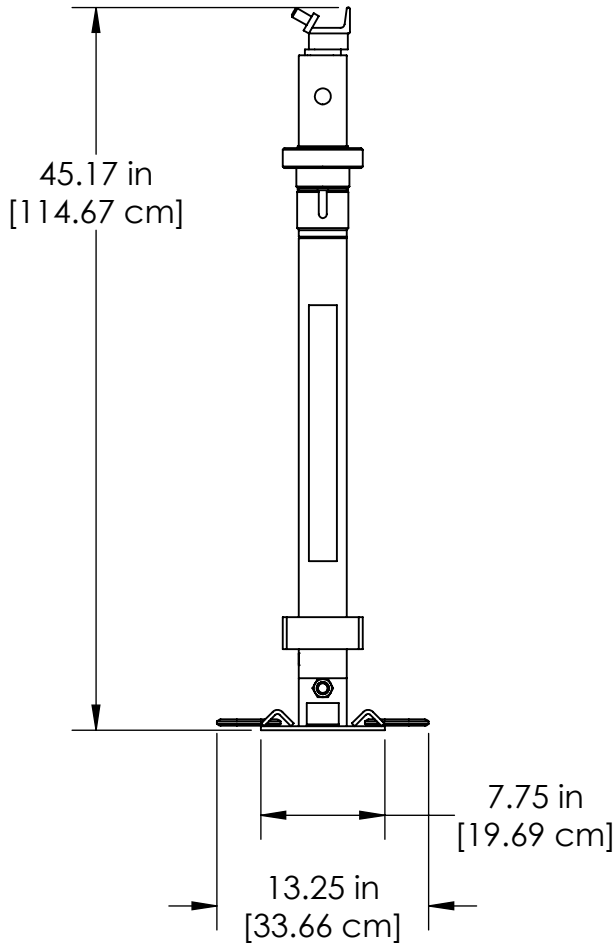
REV:
C



TITLE:
SHORT APEX STRUT

PART NO.
APX-SSTRT

STORAGE



TECHNICAL DATA SHEET

DATE UPDATED:
09/27/18

REV:
A



TITLE:
APEX JACK

PART NO.
APX-(D)JACK

LIFTING WLL: 6,000 LBS/2,721 KGS
TRAVEL: 12 IN/30.48 CM
WEIGHT: 20 LBS/9.07 KGS

