

TECHNICAL DATA SHEET

DATE UPDATED:
10/03/2018

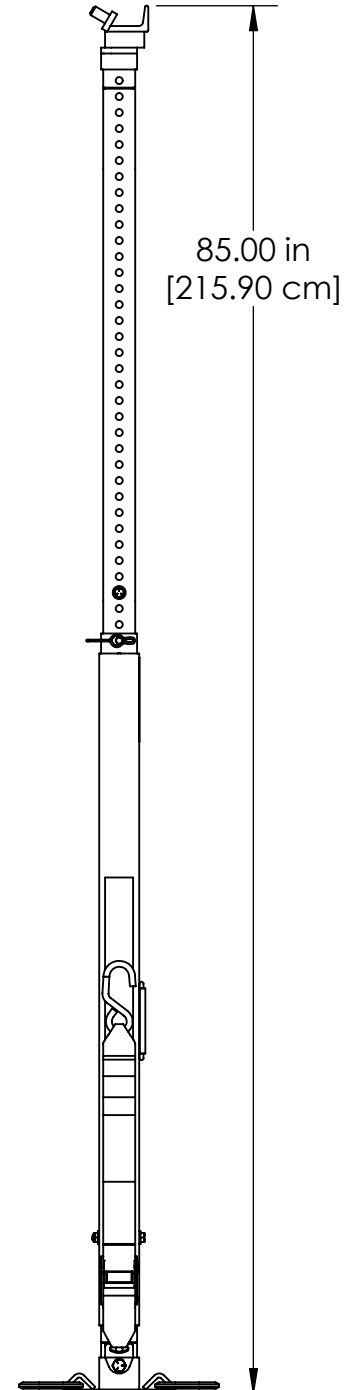
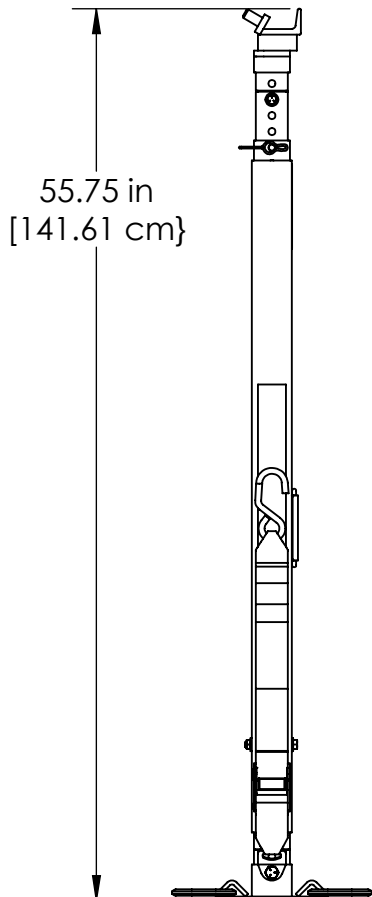
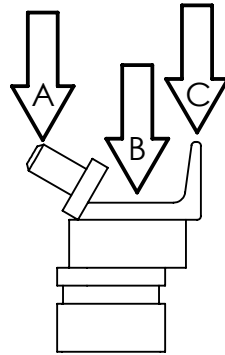
REV:
A



TITLE:
RJ3 ADJUSTABLE STAND

PART NO.
RJ3-ADST

LOAD RATING (2:1 SAFETY FACTOR)			
LOCATION		WLL (lbs)	WLL (kgs)
A	ROUND POINT	4,000	1,814
B	COLUMN	4,000	1,814
C	CHAIN GRAB	3,900	1,769



STRUT WEIGHT: 37 lbs/16.78 kg

TECHNICAL DATA SHEET

DATE UPDATED:
10/03/2018

REV:
A

TITLE:
RJ3 ADJUSTABLE STAND

PART NO.
RJ3-ADST



STORAGE

