

TECHNICAL DATA SHEET

DATE UPDATED:
9/28/2018

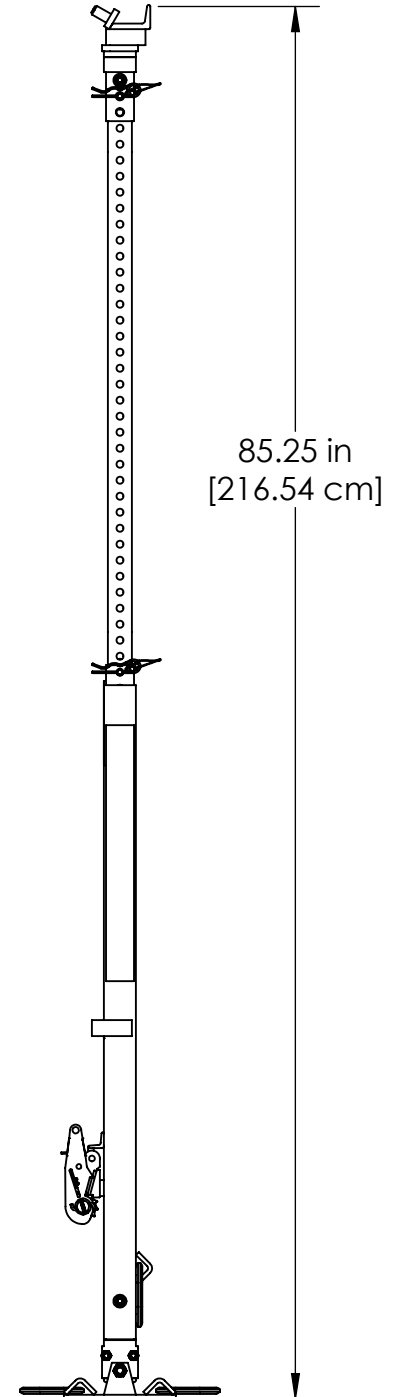
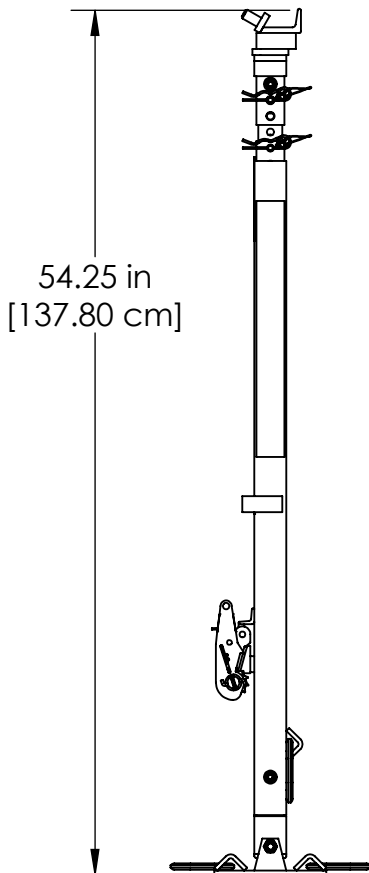
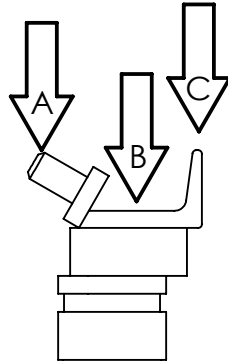
REV:
A



TITLE:
LONG GREEN LITE STRUT

PART NO.
GLX-STRT

LOAD RATING (2:1 SAFETY FACTOR)			
LOCATION		WLL (lbs)	WLL (kgs)
A	ROUND POINT	2,100	952
B	COLUMN	2,500	1,133
C	CHAIN GRAB	1,900	861



STRUT WEIGHT: 29 lbs/13.15 kg

TECHNICAL DATA SHEET

DATE UPDATED:
9/28/2018

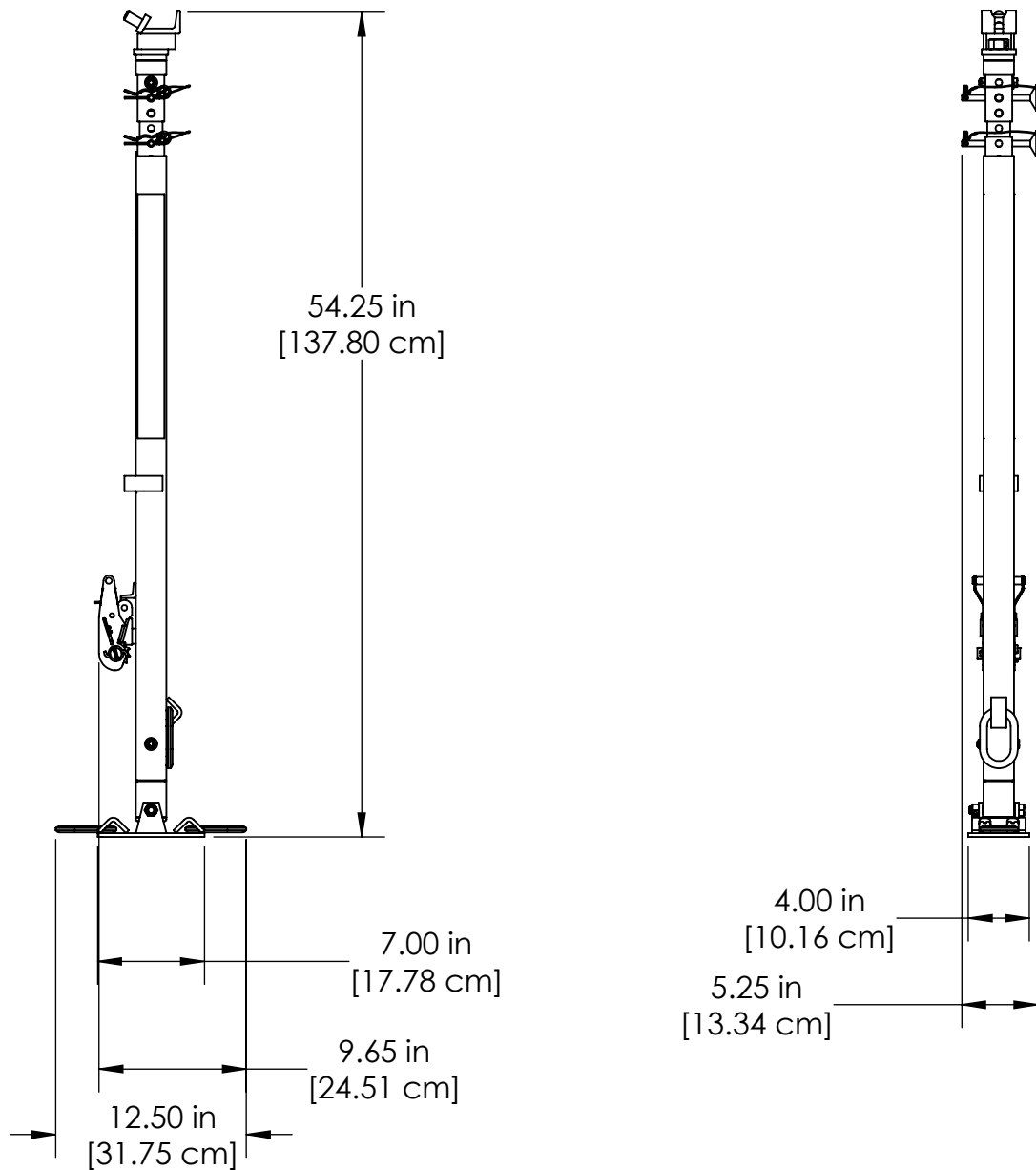
REV:
A



TITLE:
LONG GREEN LITE STRUT

PART NO.
GLX-STRT

STORAGE



TECHNICAL DATA SHEET

DATE UPDATED:
9/28/2018

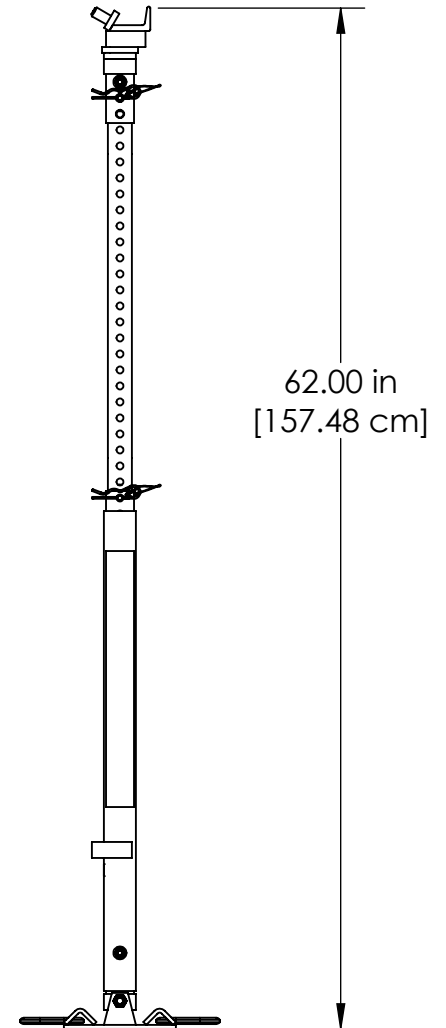
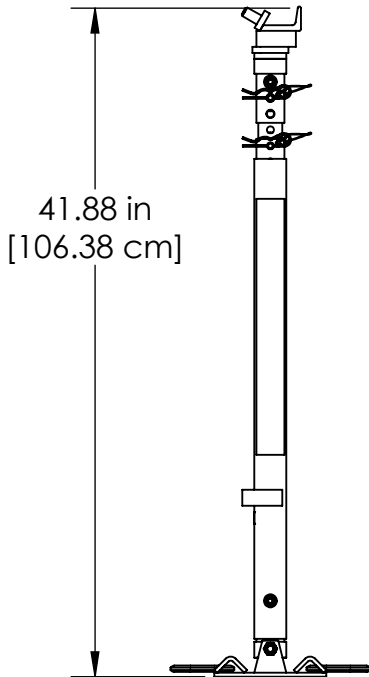
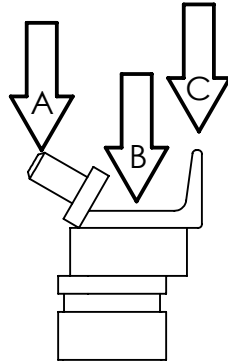
REV:
A



TITLE:
SHORT GREEN LITE STRUT

PART NO.
SGL-STRT

LOAD RATING (2:1 SAFETY FACTOR)			
LOCATION		WLL (lbs)	WLL (kgs)
A	ROUND POINT	2,100	952
B	COLUMN	2,500	1,133
C	CHAIN GRAB	1,900	861



STRUT WEIGHT: 22 lbs/9.98 kg

TECHNICAL DATA SHEET

DATE UPDATED:
9/28/2018

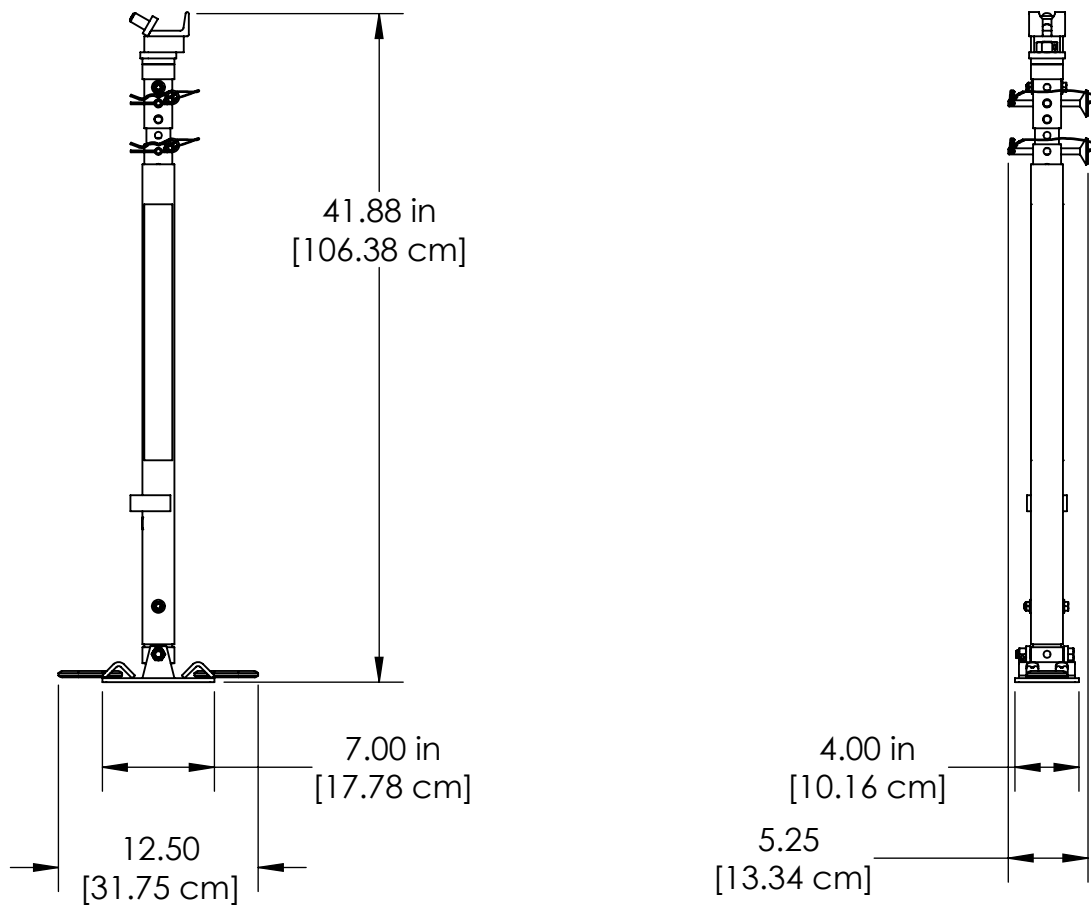
REV:
A



TITLE:
SHORT GREEN LITE STRUT

PART NO.
SGL-STRT

STORAGE



TECHNICAL DATA SHEET

DATE UPDATED:
10/3/2018

REV:
A



TITLE:
GREEN LITE JACK

PART NO.
GLX-JACK

LIFTING WLL: 2,500 LBS/1,133.98 KGS
TRAVEL: 12 IN/30.48 CM
WEIGHT: 12 LBS/5.44 KGS

