

TECHNICAL DATA SHEET

DATE UPDATED:
9/28/2018

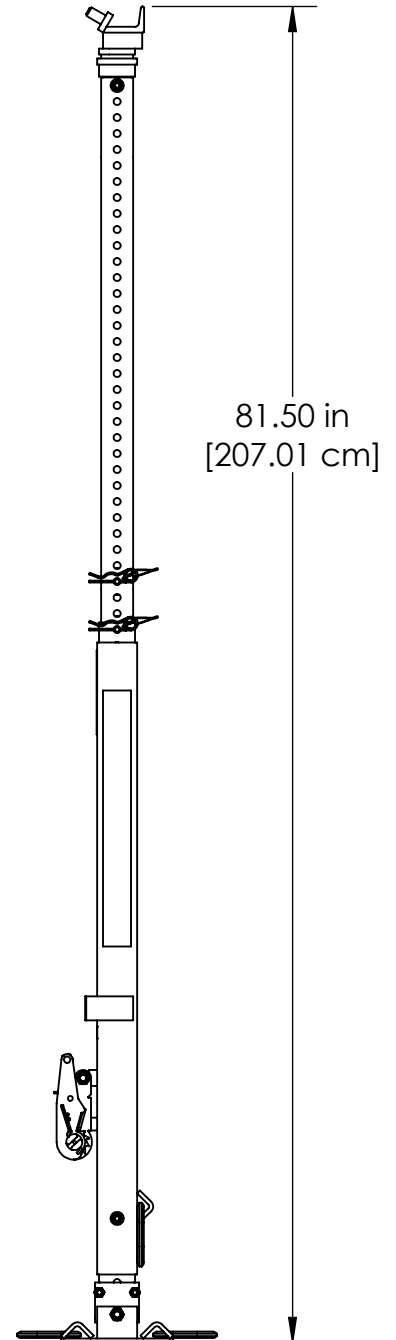
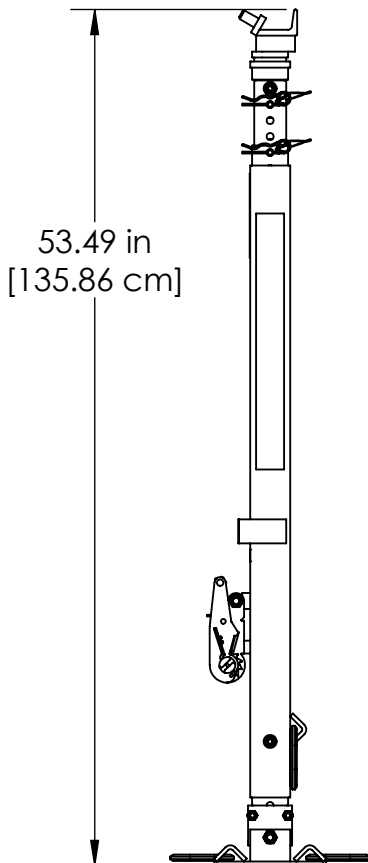
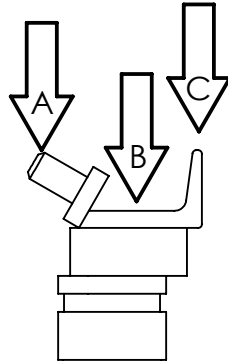
REV:
A



TITLE:
LONG STEEL X STRUT

PART NO.
STX-STRT

LOAD RATING (2:1 SAFETY FACTOR)			
LOCATION		WLL (lbs)	WLL (kgs)
A	ROUND POINT	4,000	1,814
B	COLUMN	4,000	1,814
C	CHAIN GRAB	3,200	1,451



STRUT WEIGHT: 38 lbs/17.24 kg

TECHNICAL DATA SHEET

DATE UPDATED:
9/28/2018

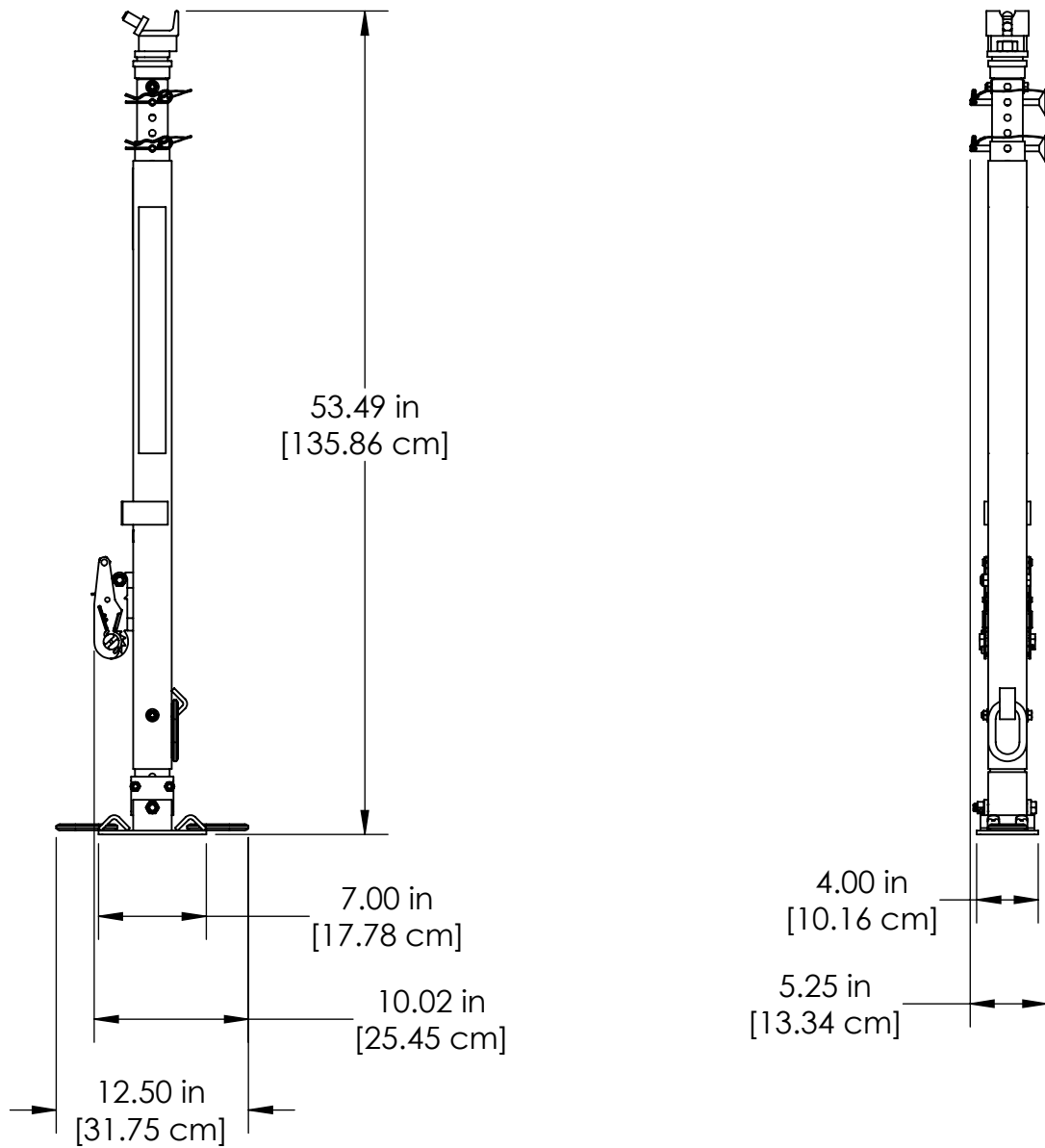
REV:
A



TITLE:
LONG STEEL X STRUT

PART NO.
STX-STRT

STORAGE



TECHNICAL DATA SHEET

DATE UPDATED:
9/28/2018

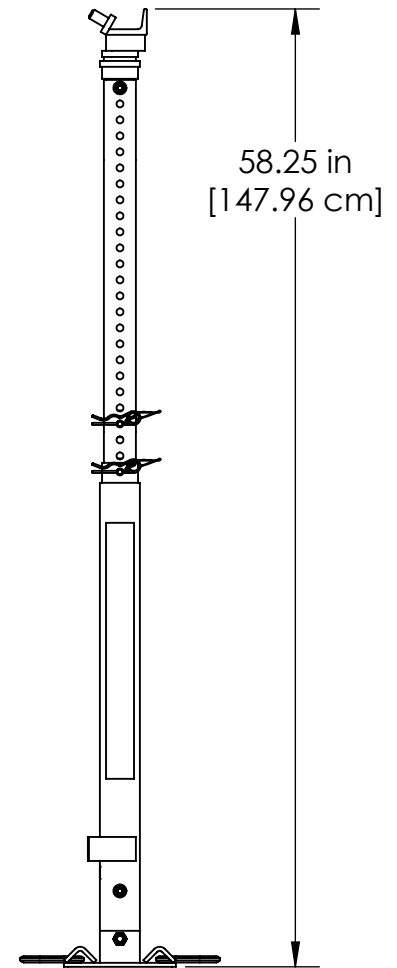
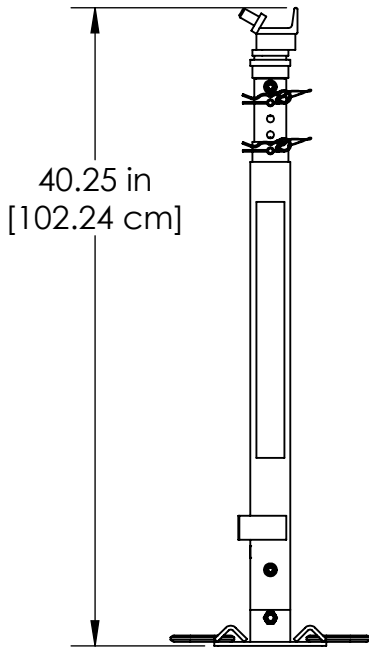
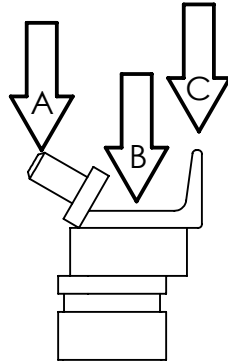
REV:
A



TITLE:
SHORT STEEL X STRUT

PART NO.
SSX-STRT

LOAD RATING (2:1 SAFETY FACTOR)			
LOCATION		WLL (lbs)	WLL (kgs)
A	ROUND POINT	4,000	1,814
B	COLUMN	4,000	1,814
C	CHAIN GRAB	3,200	1,451



STRUT WEIGHT: 27 lbs/12.25 kg

TECHNICAL DATA SHEET

DATE UPDATED:
9/28/2018

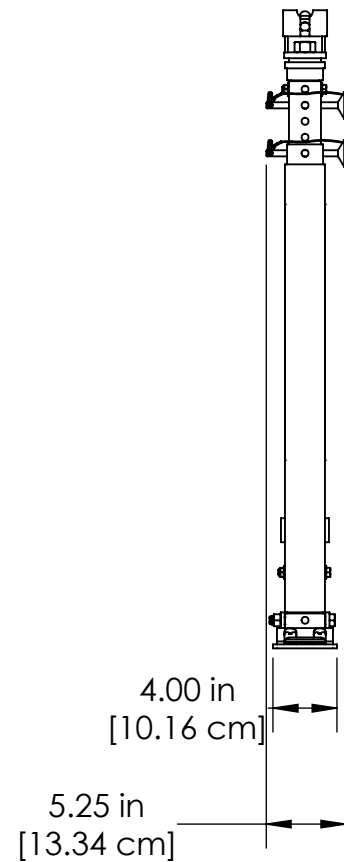
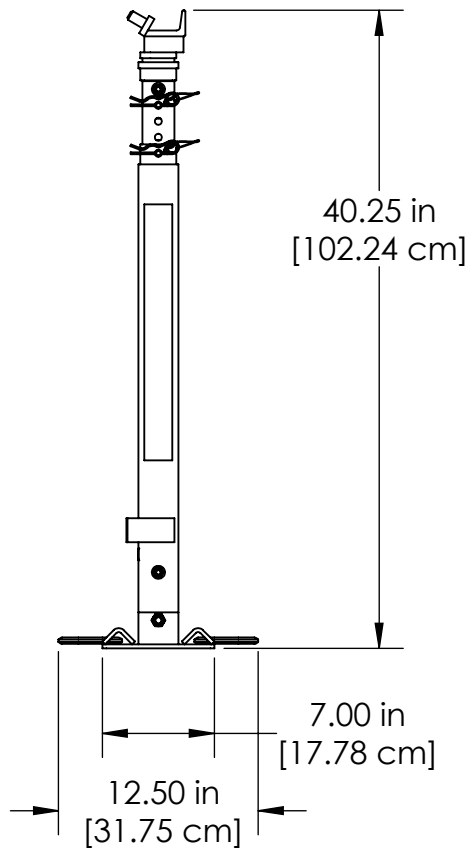
REV:
A



TITLE:
SHORT STEEL X STRUT

PART NO.
SSX-STRT

STORAGE



TECHNICAL DATA SHEET

DATE UPDATED:
9/28/2018

REV:
A



TITLE:
STEEL X JACK

PART NO.
STX-(A)JACK

LIFTING WLL: 4,000 LBS/1,814 KGS
TRAVEL: 12 IN/30.48 CM
WEIGHT: 23 LBS/10.43 KGS

