

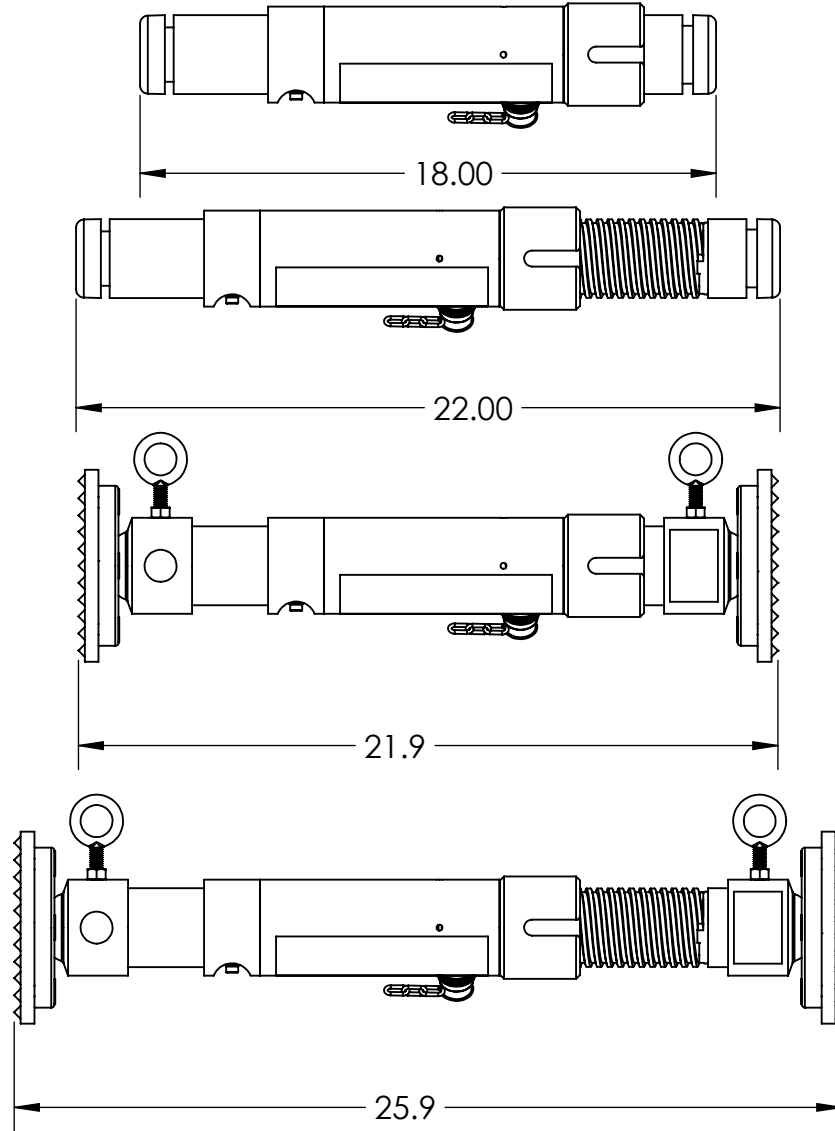
TECHNICAL DATA SHEET

DATE UPDATED:
6/6/2016



TITLE:
18" TRENCH STRUT

PART NO.
SPX-18ST



18" TRENCH STRUT COLUMN WLL	
EXTENDED LENGTH	WLL (2:1 SAFETY FACTOR)
22"	19,858 LBS
26"	19,208 LBS
38" (W/12" EXTENSION)	17,255 LBS
50" (W/12" & 12" EXTENSIONS)	15,303 LBS
62" (W/36" EXTENSIONS)	13,941 LBS
62" (W/12" & 24" EXTENSIONS)	13,941 LBS
74" (W/24" & 24" EXTENSIONS)	12,579 LBS

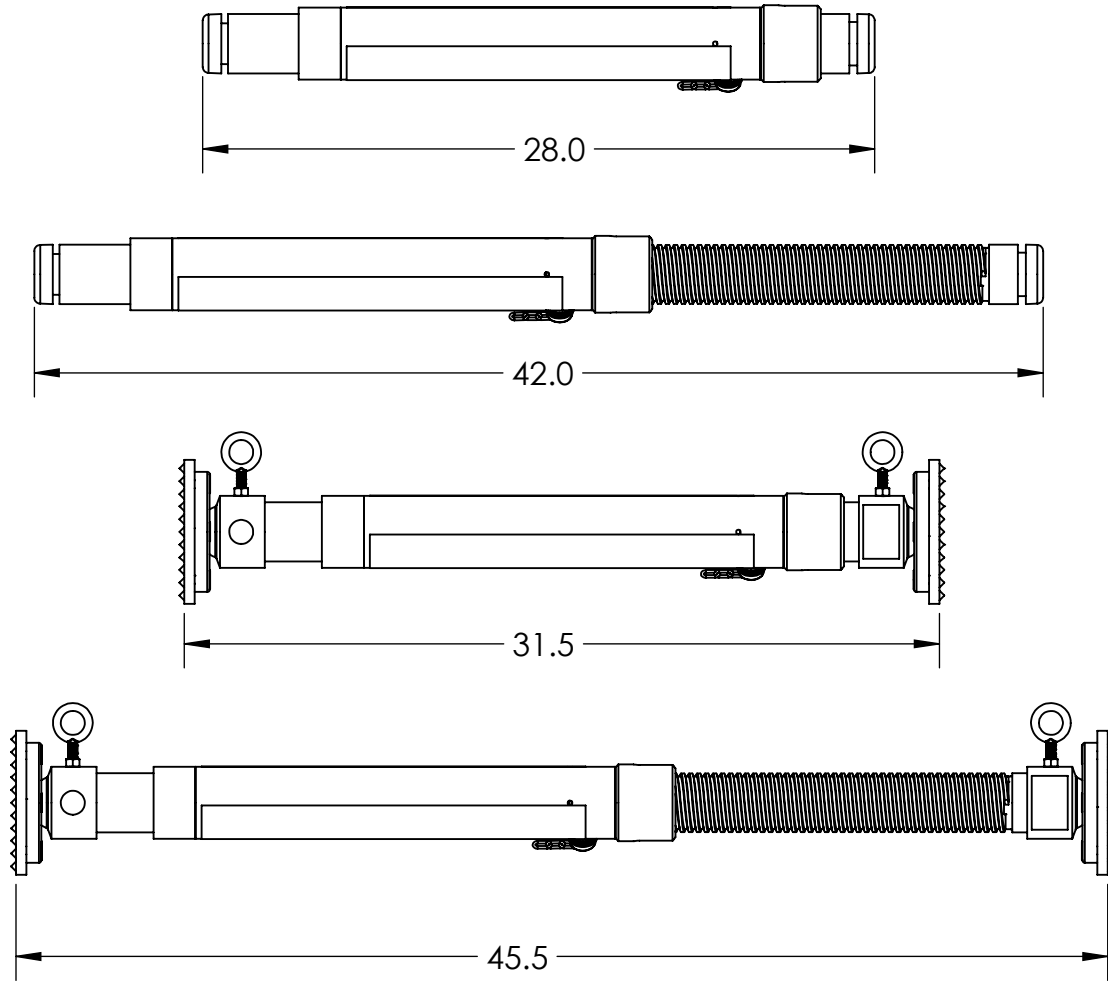
TECHNICAL DATA SHEET

DATE UPDATED:
6/6/2016



TITLE:
28" TRENCH STRUT

PART NO.
SPX-28ST



28" TRENCH STRUT COLUMN WLL	
EXTENDED LENGTH	WLL (2:1 SAFETY FACTOR)
32"	18,231 LBS
46"	15,954 LBS
58" (W/12" EXTENSION)	14,395 LBS
70" (W/24" EXTENSION)	13,033 LBS
70" (W/12" & 12" EXTENSIONS)	13,033 LBS
82" (W/36" EXTENSION)	10,384 LBS
82" (W/12" & 24" EXTENSIONS)	10,384 LBS
94" (W/12" & 36" EXTENSIONS)	7,092 LBS
94" (W/24" & 24" EXTENSIONS)	7,092 LBS

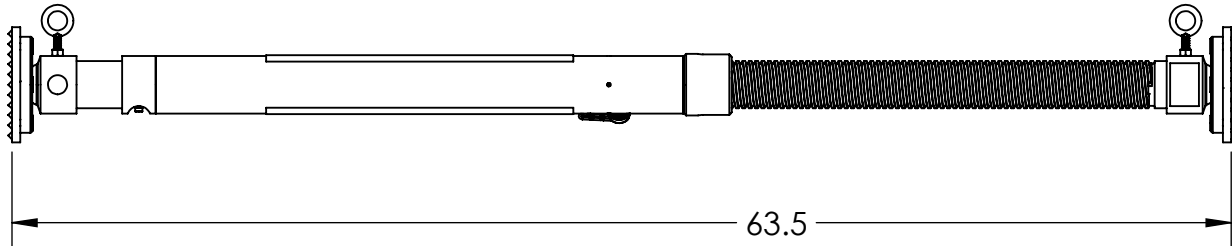
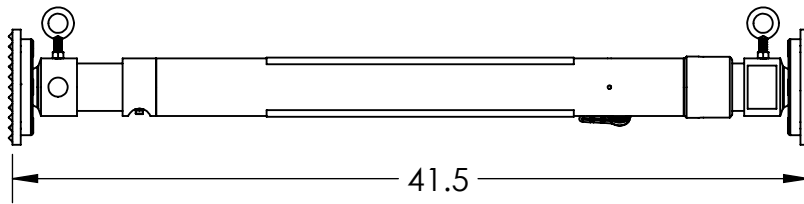
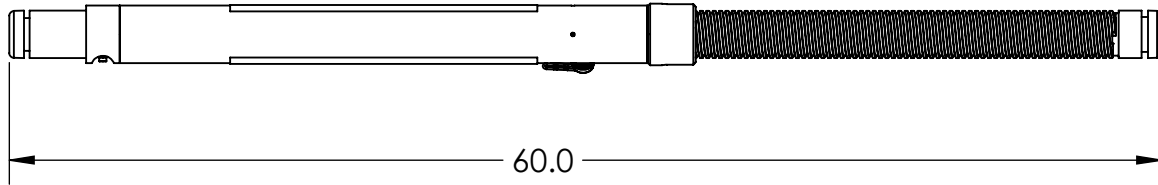
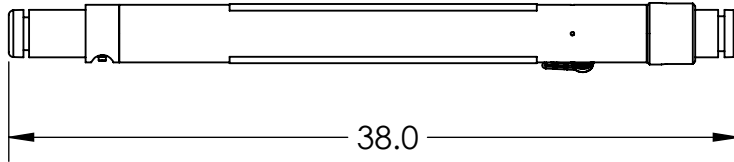
TECHNICAL DATA SHEET

DATE UPDATED:
6/6/2016



TITLE:
38" TRENCH STRUT

PART NO.
SPX-38ST



38" TRENCH STRUT COLUMN WLL	
EXTENDED LENGTH	WLL (2:1 SAFETY FACTOR)
42"	16,605 LBS
64"	13,714 LBS
76" (W/12" EXTENSION)	12,030 LBS
88" (W/24" EXTENSION)	8,738 LBS
88" (W/12" & 12" EXTENSIONS)	8,738 LBS
100" (W/36" EXTENSION)	6,467 LBS
100" (W/12" & 24" EXTENSIONS)	6,467 LBS
112" (W/12" & 36" EXTENSIONS)	5,216 LBS
112" (W/24" & 24" EXTENSIONS)	5,216 LBS