

H97 < B = 7 5 @ 85 H 5 ' G < 99 H

85H91 D85H98.
&#&#&#&\$%+

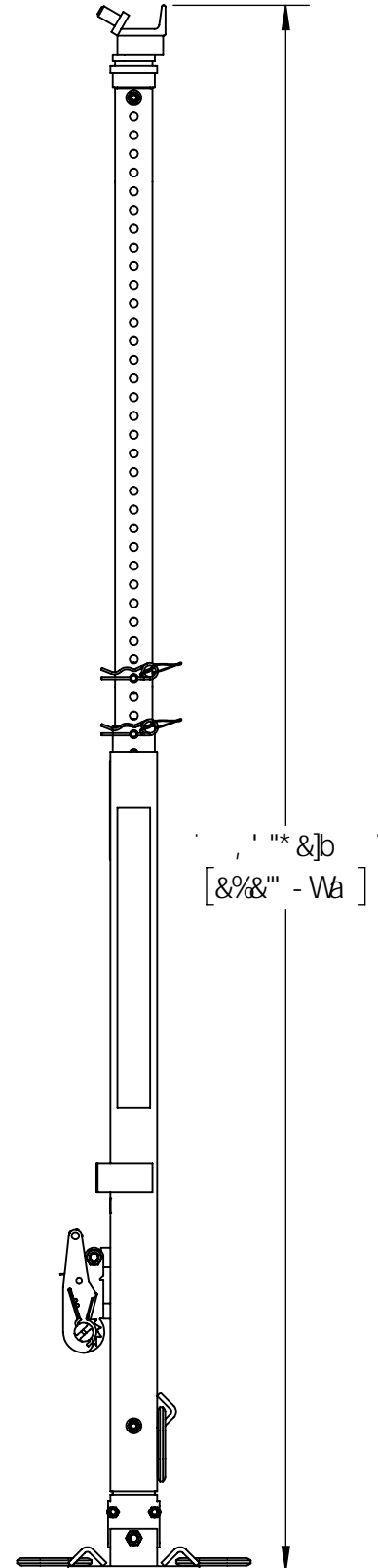
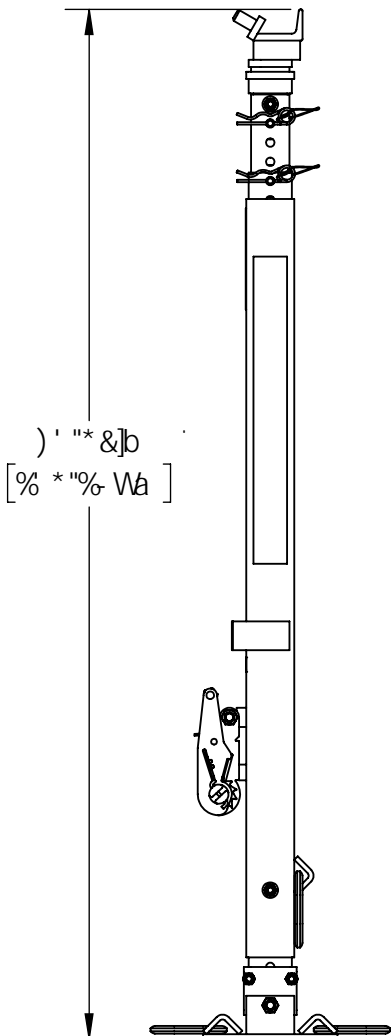
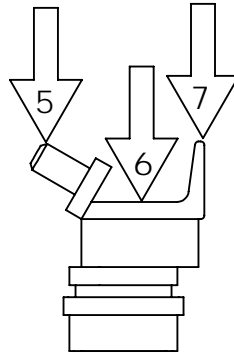


H#0.
@ C B; 'GH99@L'GF I H

D5FHBC"
GL!GFH

@ 58 '5 HB; 'f&.%G5: 9HM: 5 7 HC F

@ 7 5 HC B		K @@fIVg	K @@fI] g
5	FC I B 8 'DC -BH	(Z\$\$\$	%z, %\
6	7 C @ A B	(Z\$\$\$	%z, %\
7	7 < 5 -B; F56	'z&\$\$	%z() %



GF I HK 9 = < H(("Vg#% "- * ' _] g

G< 99H%& : '&

H97 < B = 5 @ 85 H 5 G < 99H

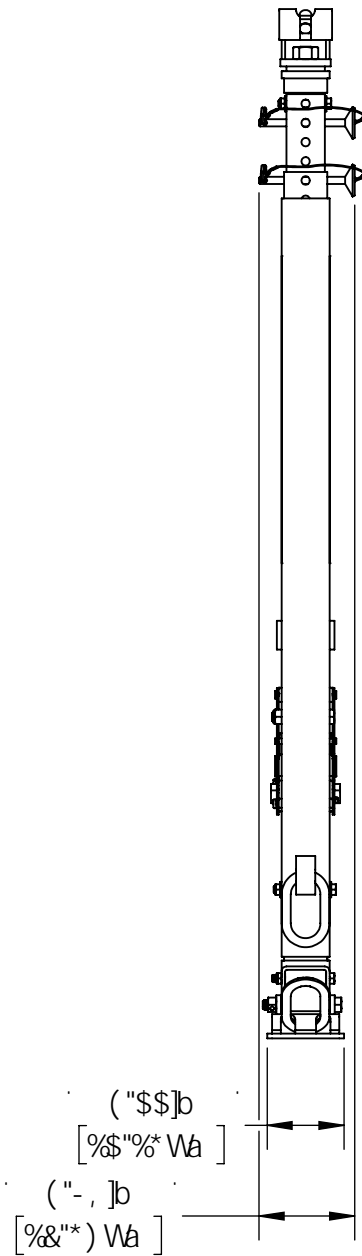
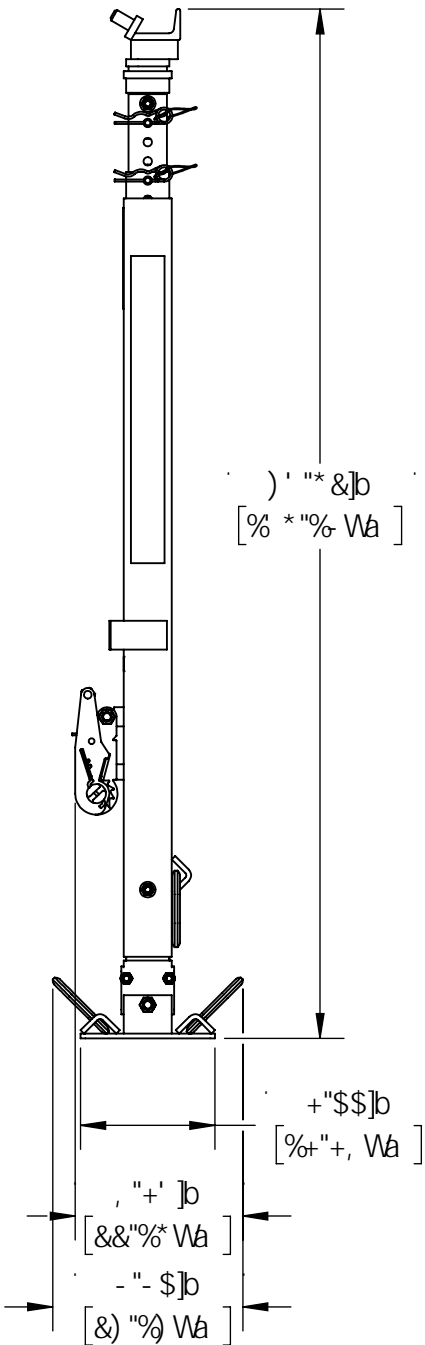
85H91 D85H98.
&#&#&#&\$%+



H#0.
@ B; 'GH99@L'GF I H

D5FHBC "
GHL!GFH

GCF5; 9



H97 < B = 7 5 @ 85 H 5 ' G < 99 H

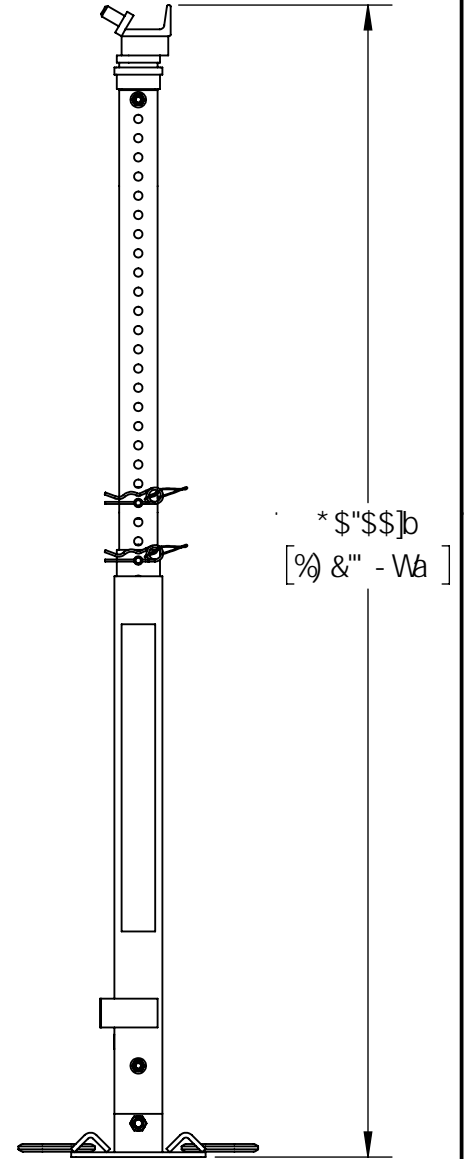
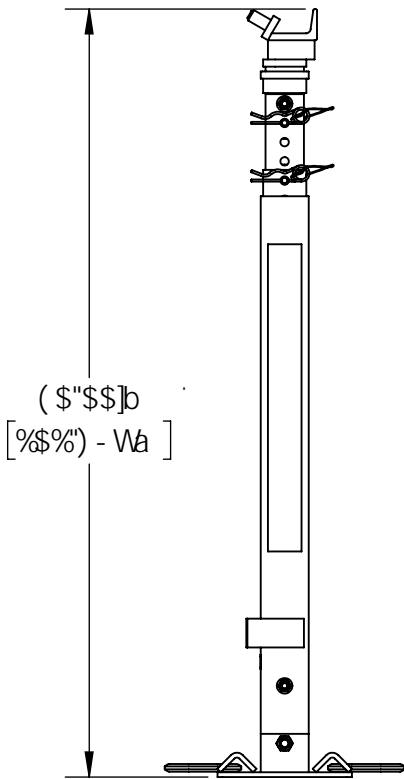
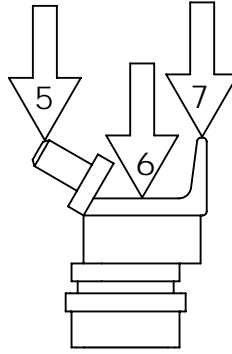
85H91 D85H98.
&#&#&#&\$%+



H#09.
G< C F H G H 99 @ L ' G F I H

D5FHBC "
GGL!GFH

@ C 5 8 ' F 5 H B ; ' f & . % G 5 : 9 H M : 5 7 H C F			
@ 7 5 H C B		K @ f I V g	K @ f I [g
5	F C I B 8 ' D C B H	(Z \$ \$ \$	% z %
6	7 C @ A B	(Z \$ \$ \$	% z %
7	7 < 5 B ; F 5 6	' z & \$ \$	% z () %



GFI HK 9 = < H' + ' V g # % * " + , ' _ [g

G< 99H% C : ' &

H97 < B = 5 @ 85 H 5 ' G < 99H

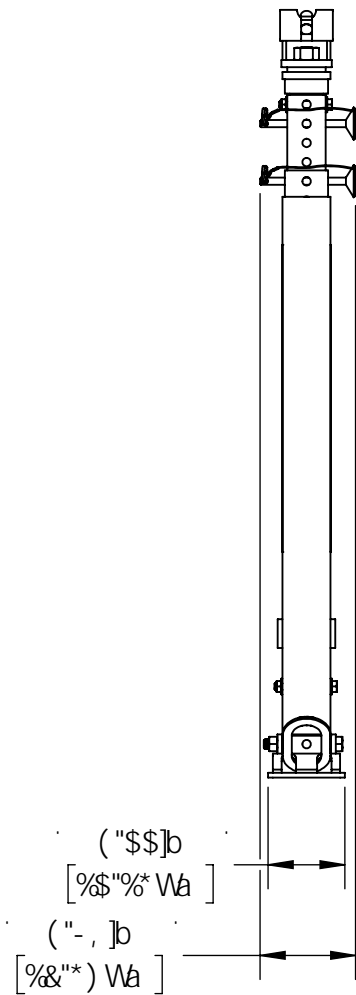
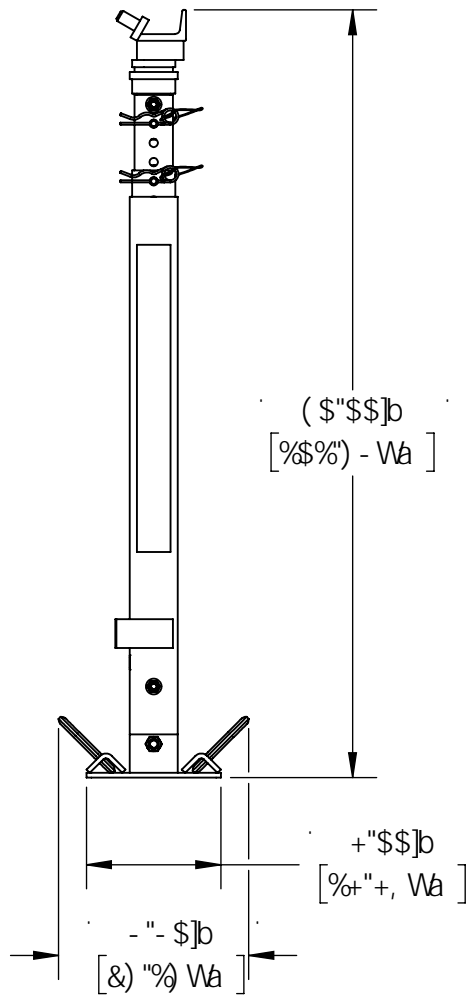
85H91 D85H98.
&#&#&#&\$%+



H#09.
G< C FHGH99@L 'GFI H

D5FHBC "
GGL!GFH

GHC F5; 9



H97 < B = 7 5 @ 85 H 5 ' G < 99 H

85H91 D85H98.
' #/%#&\$%+



H#09.
GH99@L > 5 7 ?

D5FHBC "
GHL! > 5 7 ?

@= HB; ' K @@ '(\$\$\$' @G#% %\ '?; G

HF5J 9@ '%& B# '\$(, '7 A

K 9÷ < H '&+ '@G#%'&'&' '?; G

