

TECHNICAL DATA SHEET

DATE UPDATED:
9/28/2018

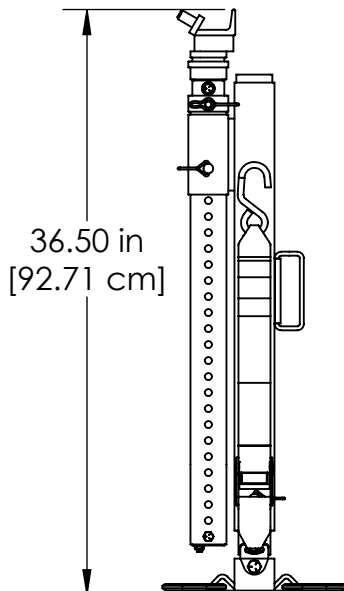
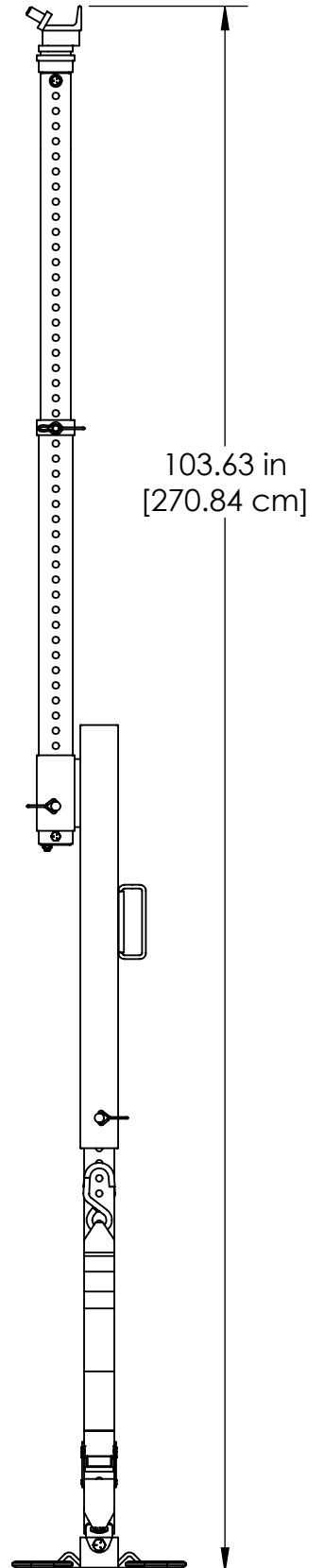
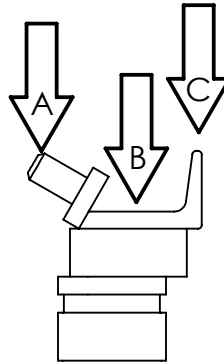
REV:
A



TITLE:
SPACE SAVER ADJUSTABLE STAND

PART NO.
SPS-ADST

LOAD RATING (2:1 SAFETY FACTOR)			
LOCATION		WLL (lbs)	WLL (kgs)
A	ROUND POINT	4,000	1,814
B	COLUMN	4,000	1,814
C	CHAIN GRAB	3,100	1,406



STRUT WEIGHT: 43 lbs/19.50 kg

TECHNICAL DATA SHEET

DATE UPDATED:
9/28/2018

REV:
A



TITLE:
SPACE SAVER ADJUSTABLE STAND

PART NO.
SPS-ADST

STORAGE

