

TECHNICAL DATA SHEET

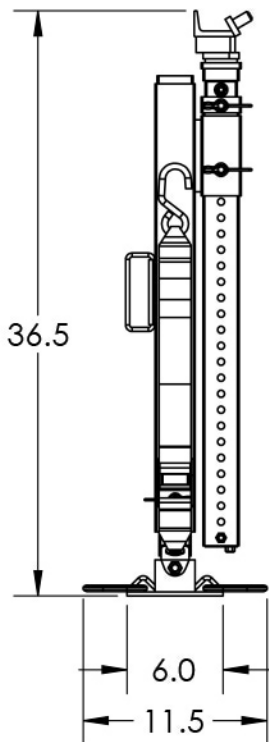
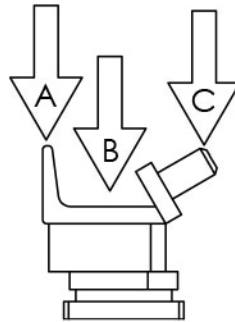
DATE UPDATED:
1/11/2016



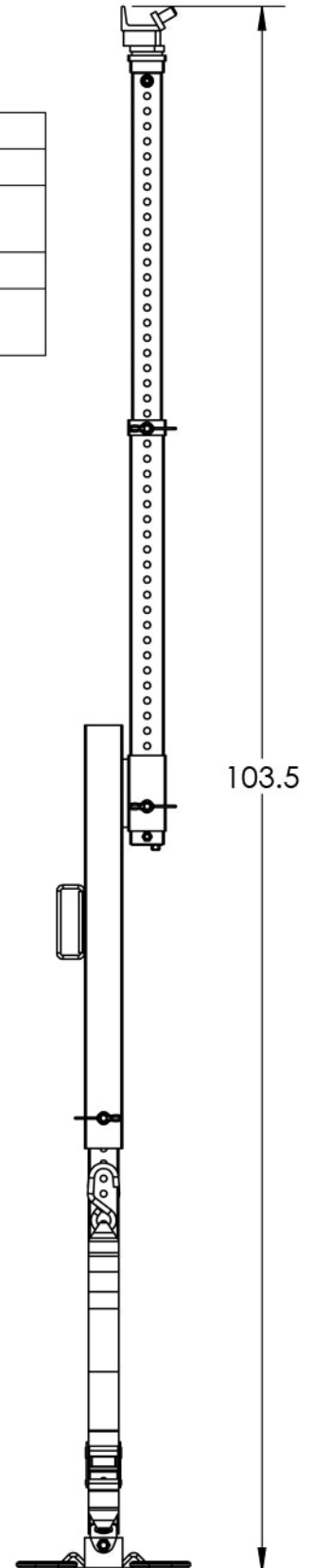
TITLE:
SPACE SAVER ADJUSTABLE STAND

PART NO.
SPS-ADST

LOAD RATINGS (2:1 SAFETY FACTOR)		
LOCATION		WEIGHT (LBS)
A	TIP OF CHAIN GRAB	3,100
B	COLUMN LOAD	4,000
C	TIP OF ROUND POINT	4,000



STRUT WEIGHT 45 LBS



TECHNICAL DATA SHEET

DATE UPDATED:
1/11/2016

TITLE:
SPACE SAVER ADJUSTABLE STAND

PART NO.
SPS-ADST

RES-Q-JACK[®]
STABILIZATION ELEVATED

STORAGE DIMENSIONS

