

# H97 < B = 7 5 @ 85 H 5 ' G < 99 H

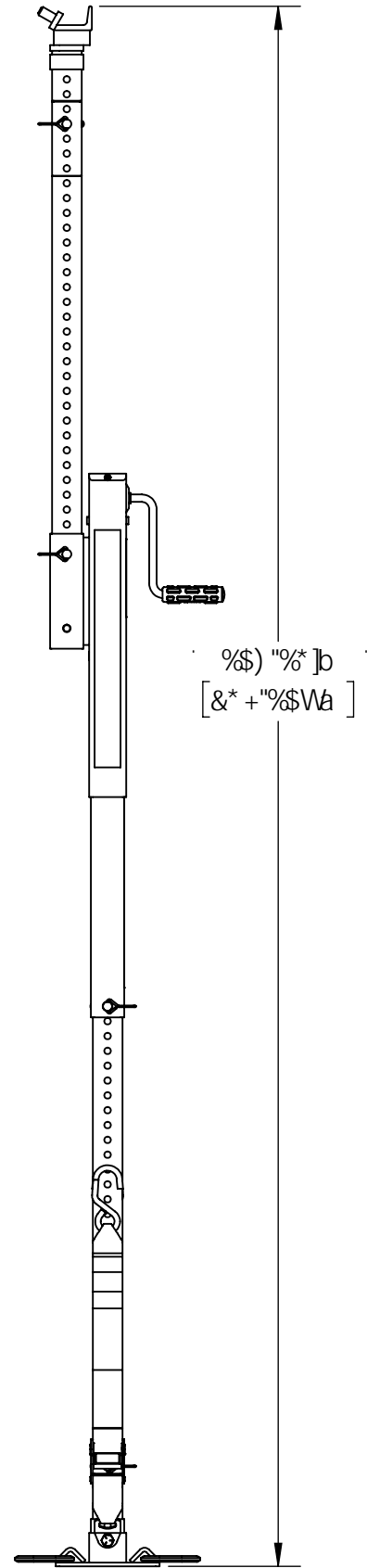
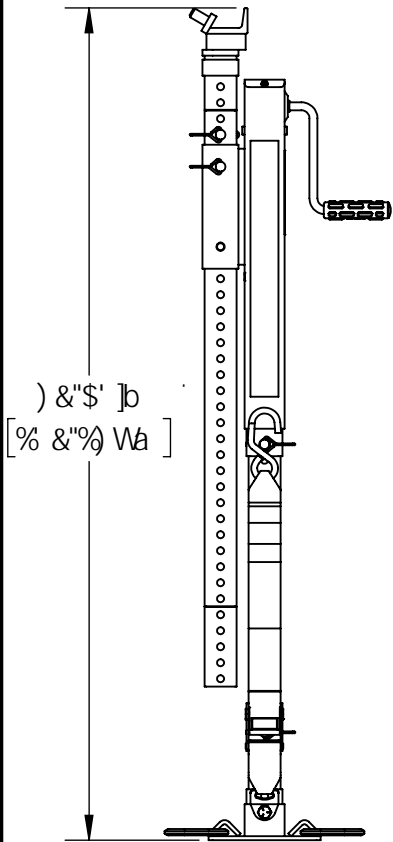
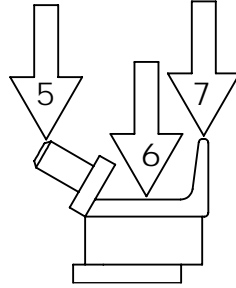
85H91 D85H98.  
&#( #&\$%+



H#9.  
F>' >57?'G5B8

D5FHBC "  
F>' !>'GH

@ 58 'F5HB; 'f&.%G5: 9HM: 57 HC F			
@ 7 5 HC B		K @@fIV g	K @@fI [ g
5	FC I B8 'DC B H	' ž+\$\$	%ž* +,
6	7 C @ A B	( ž\$\$\$	%ž, %(
7	7 < 5 B ; F56	&ž ) \$	%ž&- &
@= HB; K @@		( ž\$\$\$	%ž, %(



>57?'G5B8 'K 9= <H\* &'Vg#&, "%&'\_[ g

G< 99H%< : '&

H97 < B = 7 5 @ 85 H 5 ' G < 99 H

85 H 9 1 D 8 5 H 9 8 .  
& # & ( # & \$ % +



H # 0 9 .  
F > ' > 5 7 ? ' G 5 B 8

D 5 F H B C "  
F > ' ! > ? G H

G H C F 5 ; 9

