

# TECHNICAL DATA SHEET

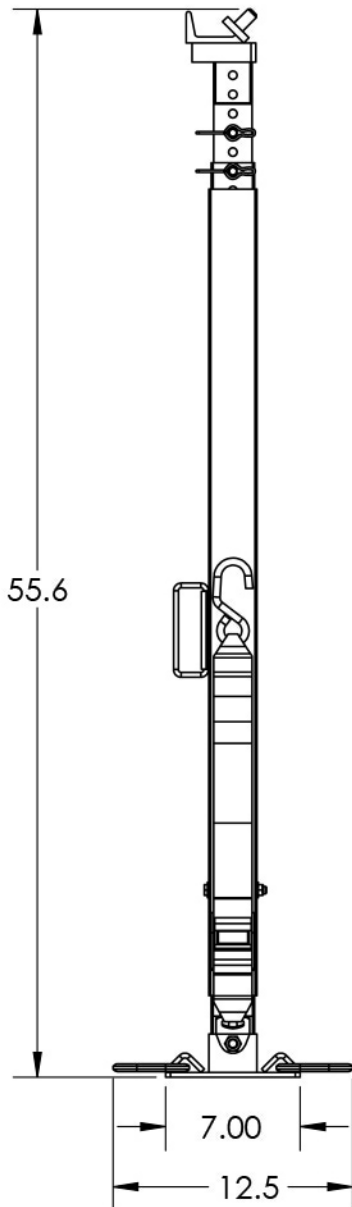
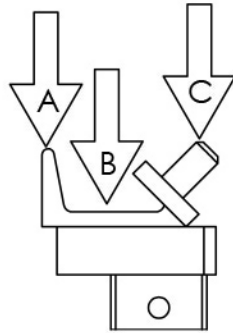
DATE UPDATED:  
1/8/2016

**RES-Q-JACK**<sup>®</sup>  
STABILIZATION ELEVATED

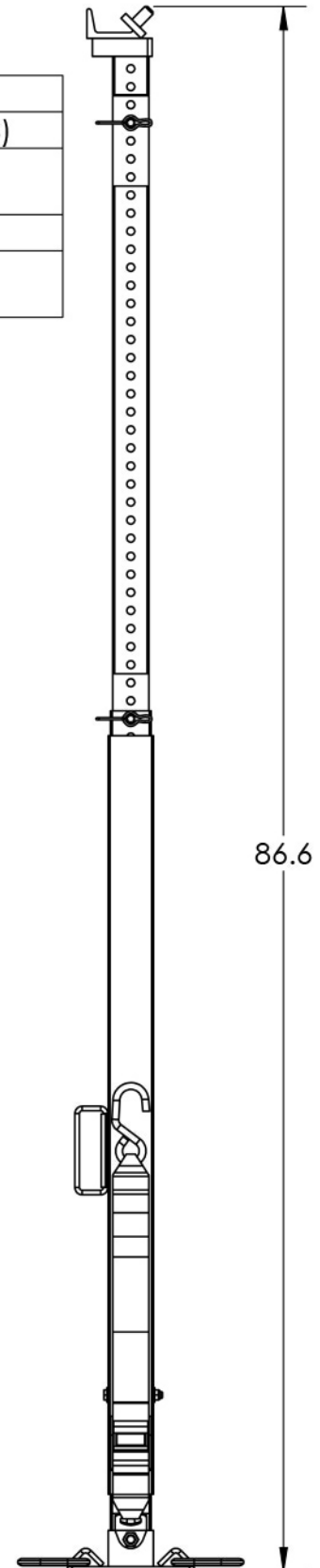
TITLE:  
RJ3 ADJUSTABLE STAND

PART NO.  
RJ3-ADST

| LOAD RATINGS (2:1 SAFETY FACTOR) |                    |              |
|----------------------------------|--------------------|--------------|
| LOCATION                         |                    | WEIGHT (LBS) |
| A                                | TIP OF CHAIN GRAB  | 3,900        |
| B                                | COLUMN LOAD        | 4,000        |
| C                                | TIP OF ROUND POINT | 4,000        |



|              |        |
|--------------|--------|
| STRUT WEIGHT | 37 LBS |
|--------------|--------|



# TECHNICAL DATA SHEET

DATE UPDATED:  
1/8/2016

TITLE:  
RJ3 ADJUSTABLE STAND

PART NO.  
RJ3-ADST

**RES-Q-JACK**<sup>®</sup>  
STABILIZATION ELEVATED

## STORAGE DIMENSIONS

