

TECHNICAL DATA SHEET

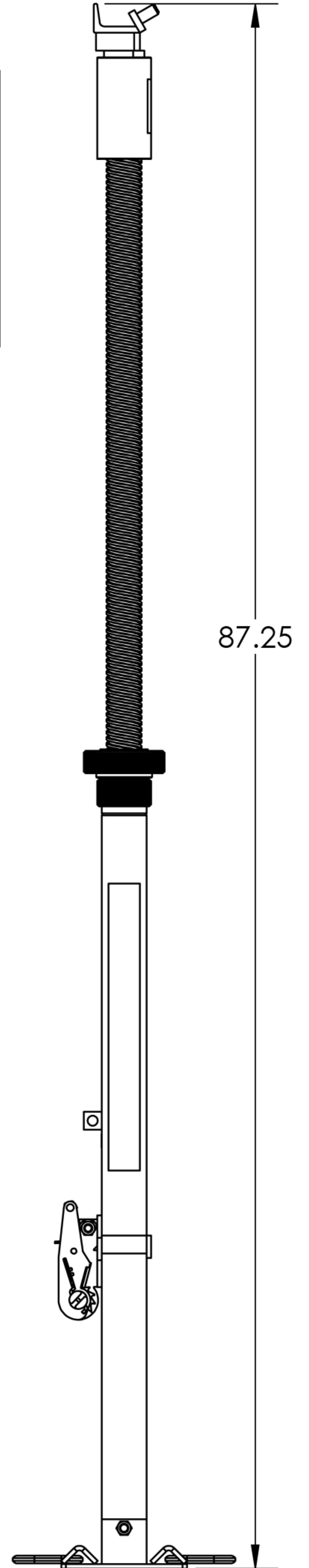
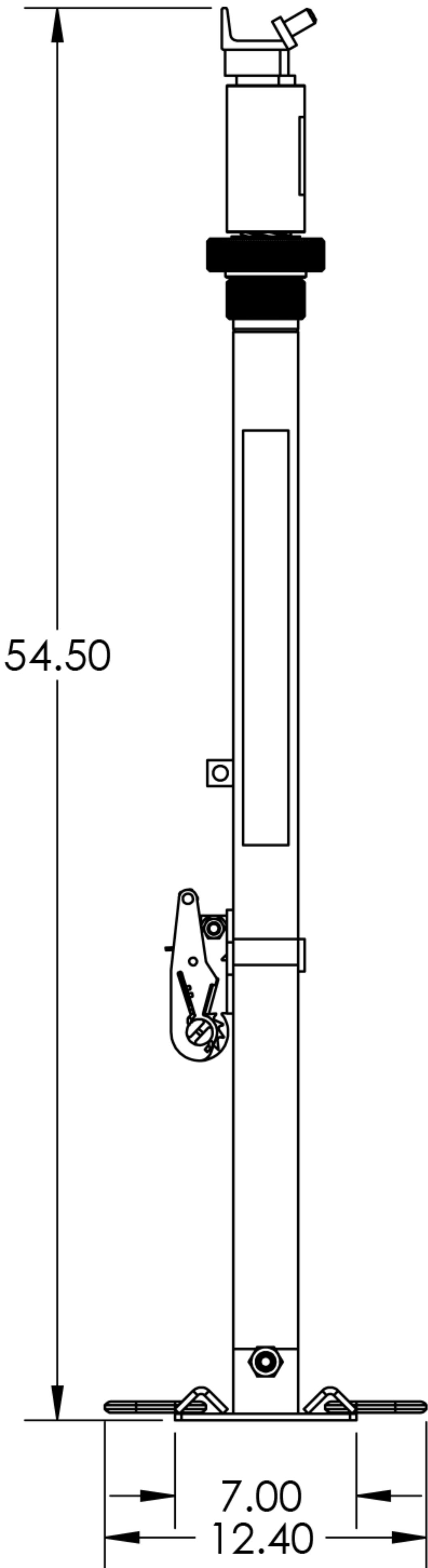
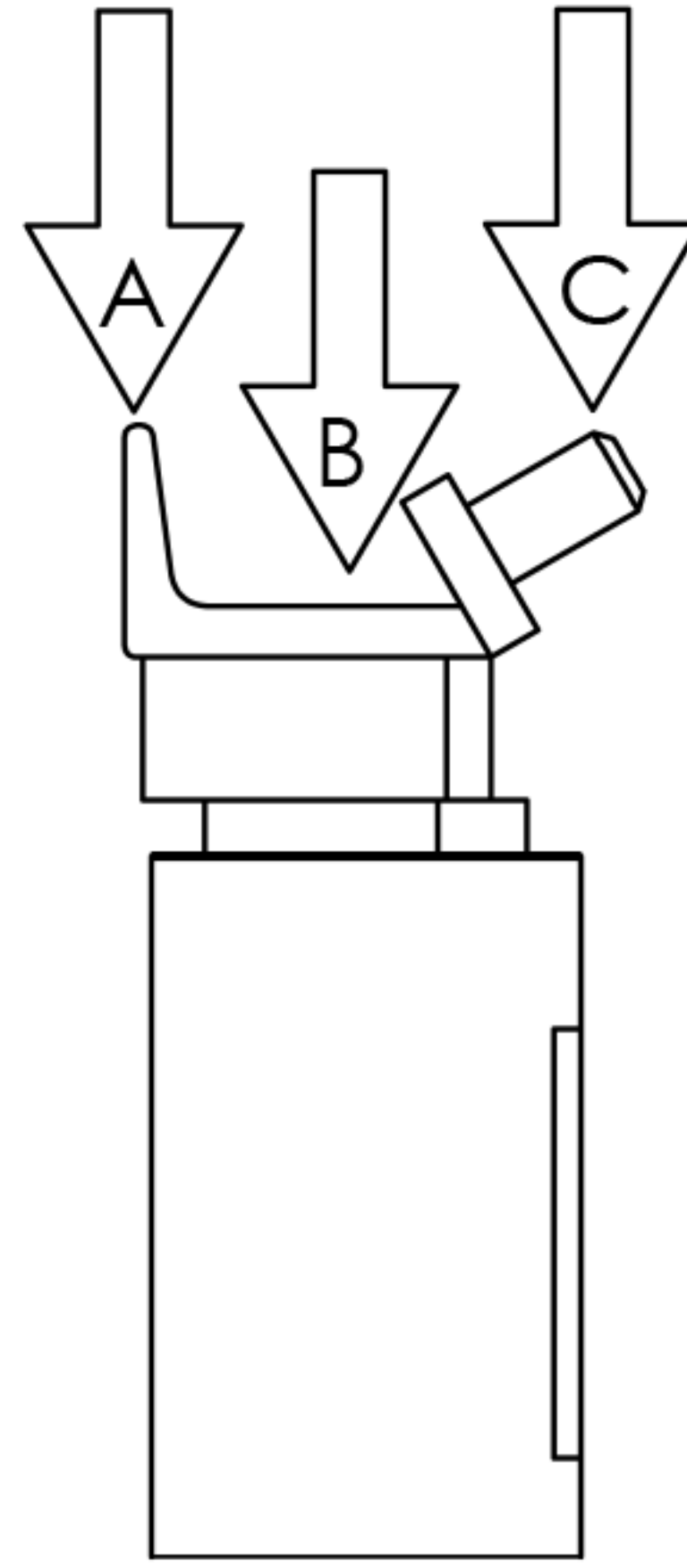
DATE UPDATED:
11/20/2015

TITLE:
LONG AUTO X STRUT

PART NO.
ATX-STRT-L

Res-Q-Jack®

LOAD RATINGS (2:1 SAFETY FACTOR)		
LOCATION		WIGHT (LBS)
A	TIP OF CHAIN GRAB	2,380
B	COLUMN LOAD	3,250
C	TIP OF ROUND POINT	2,380
LIFTING WLL		2,500



STRUT WEIGHT	37 LBS
JACK WEIGHT	16 LBS

NO EXTENSTIONS ALLOWED!

TECHNICAL DATA SHEET

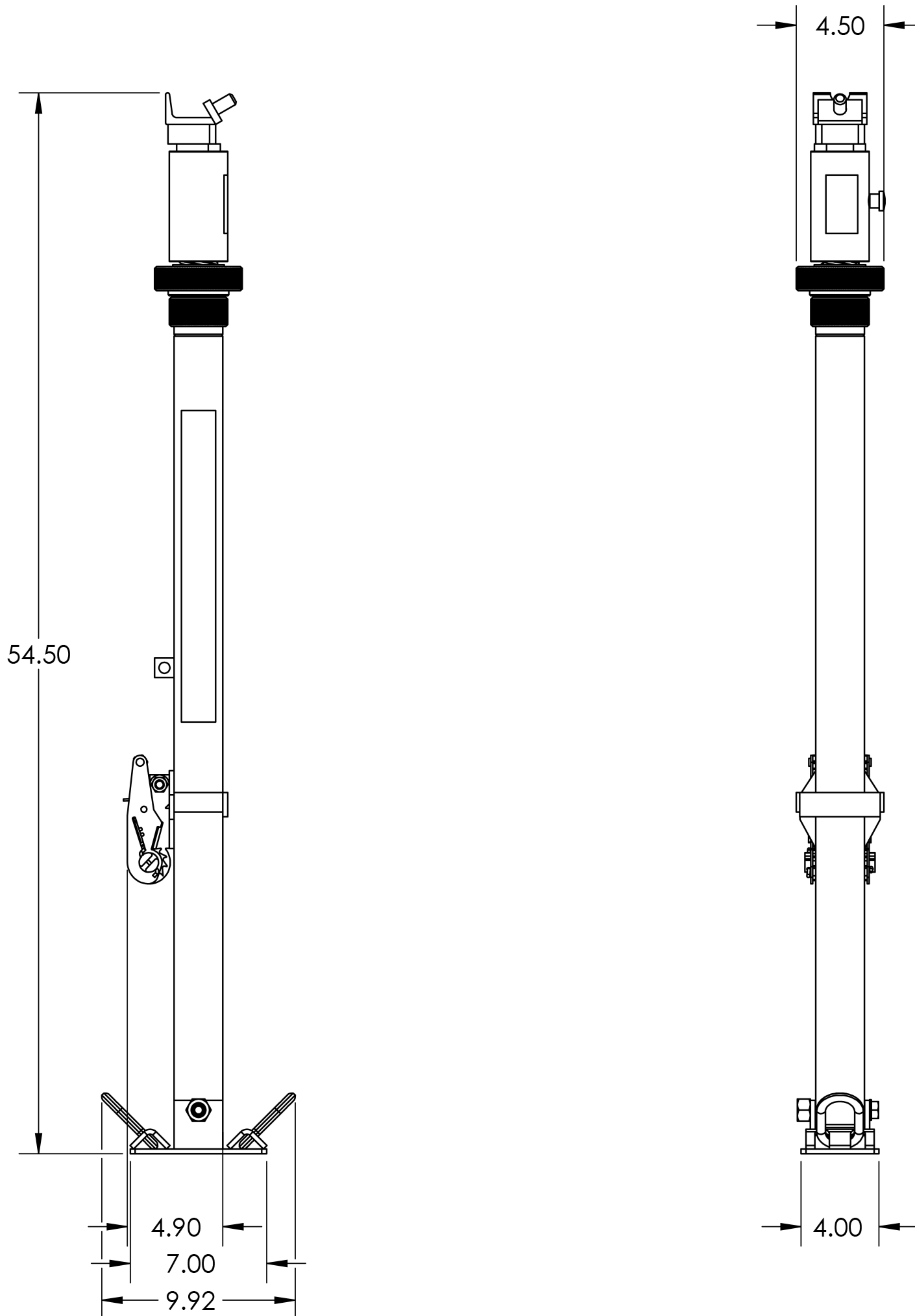
DATE UPDATED:
11/20/2015

TITLE:
LONG AUTO X STRUT

PART NO.
ATX-STRT-L

Res-Q-Jack®

STORAGE DIMENSIONS



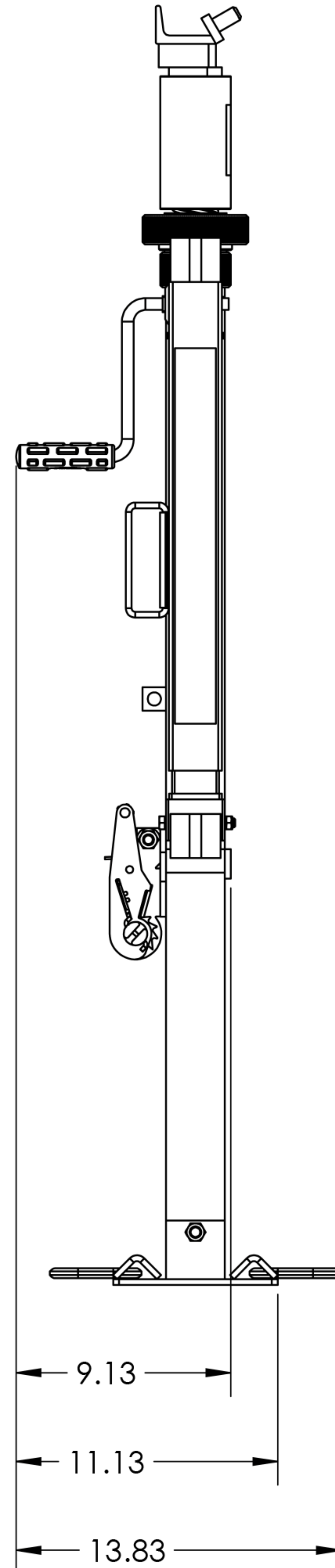
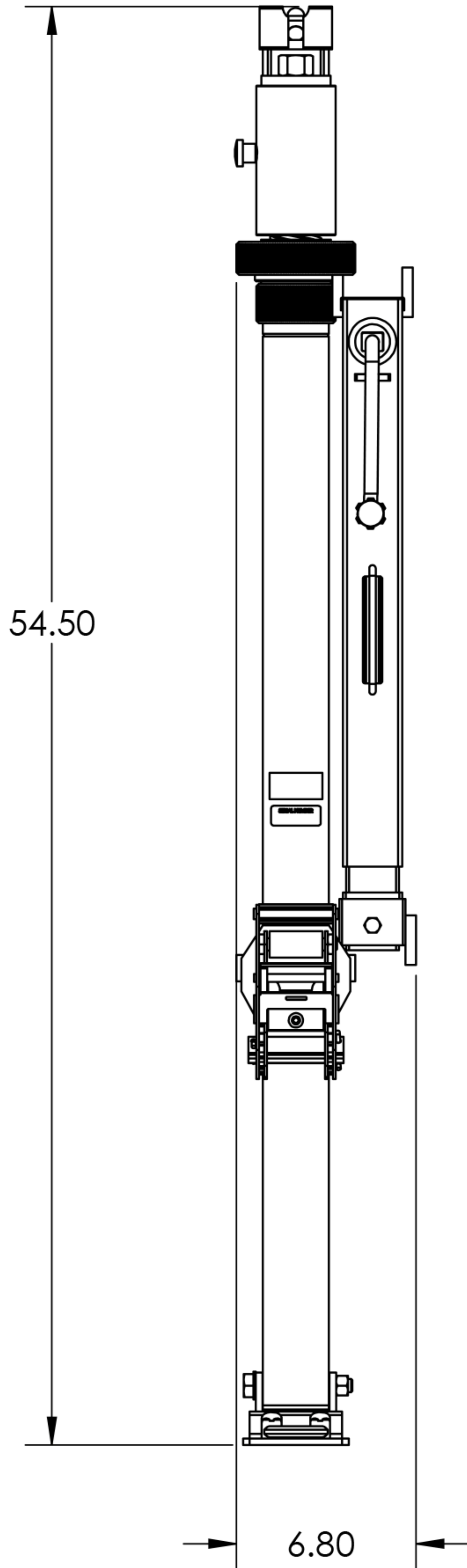
TECHNICAL DATA SHEET

DATE UPDATED:
11/20/2015

TITLE:
LONG AUTO X STRUT

PART NO.
ATX-STRT-L

Res-Q-Jack®



TECHNICAL DATA SHEET

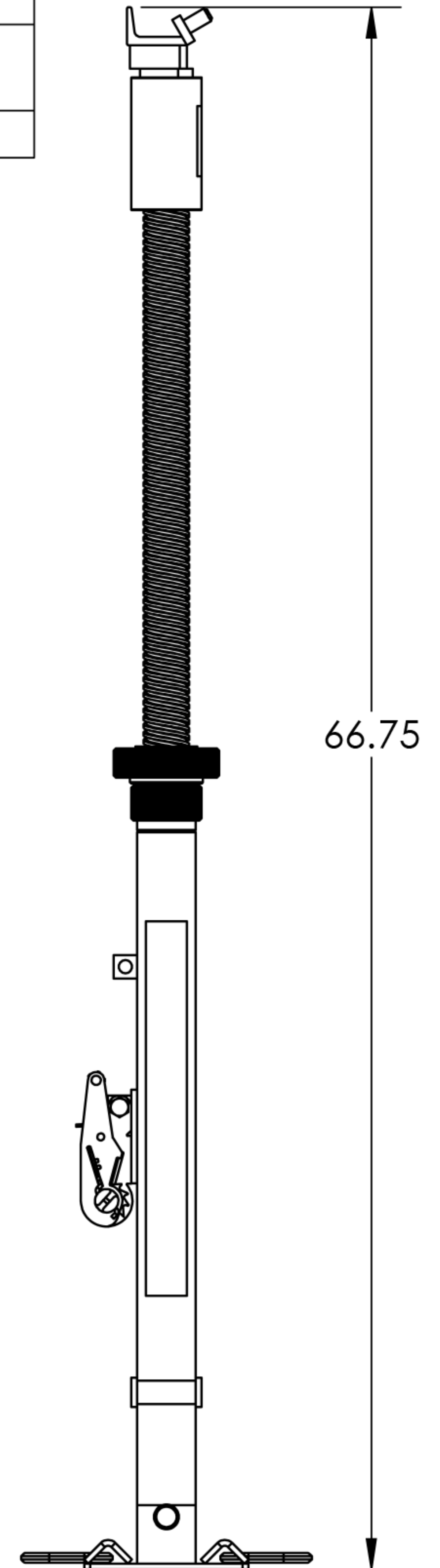
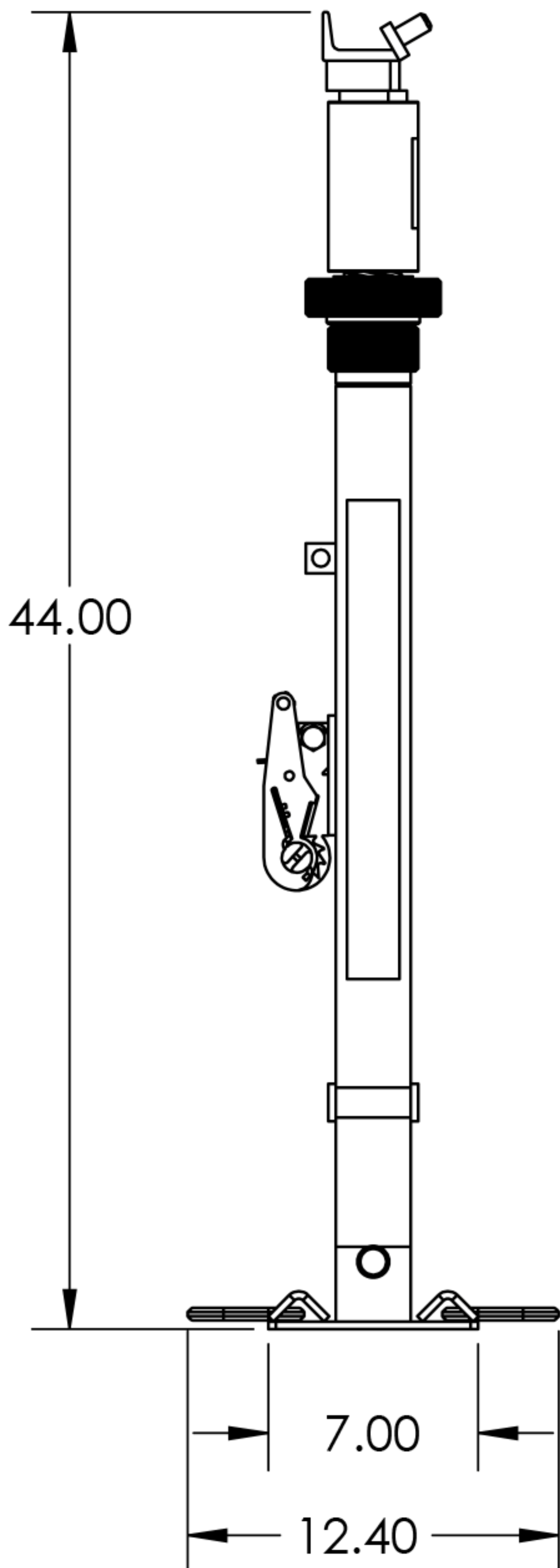
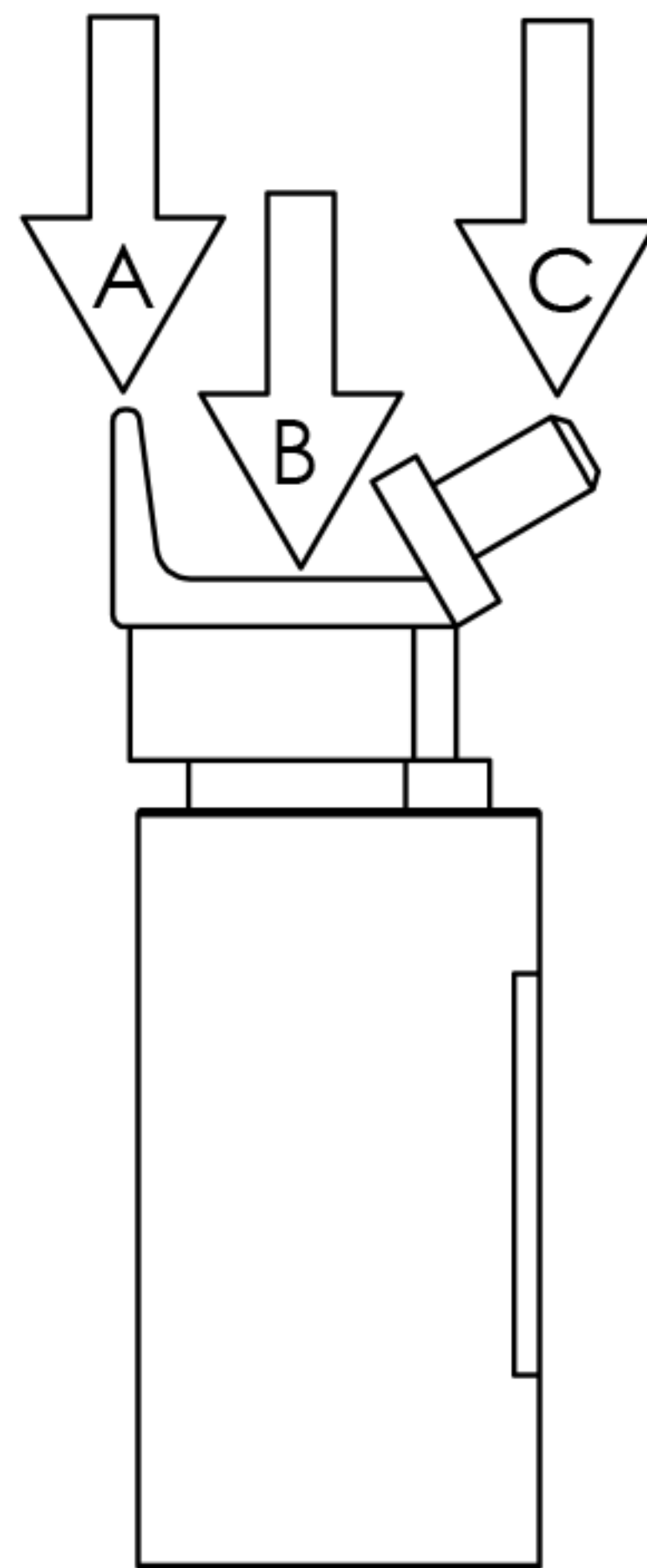
DATE UPDATED:
11/20/2015

TITLE:
SHORT AUTO-X STRUT

PART NO.
ATX-STRT-S

Res-Q-Jack®

LOAD RATINGS (2:1 SAFETY FACTOR)		
LOCATION		WEIGHT (LBS)
A	TIP OF CHAIN GRAB	2,380
B	COLUMN LOAD	3,250
C	TIP OF ROUND POINT	2,380
LIFTING WLL		2,500



MAXIMUM OF ONE 12 INCH EXTENSION

TECHNICAL DATA SHEET

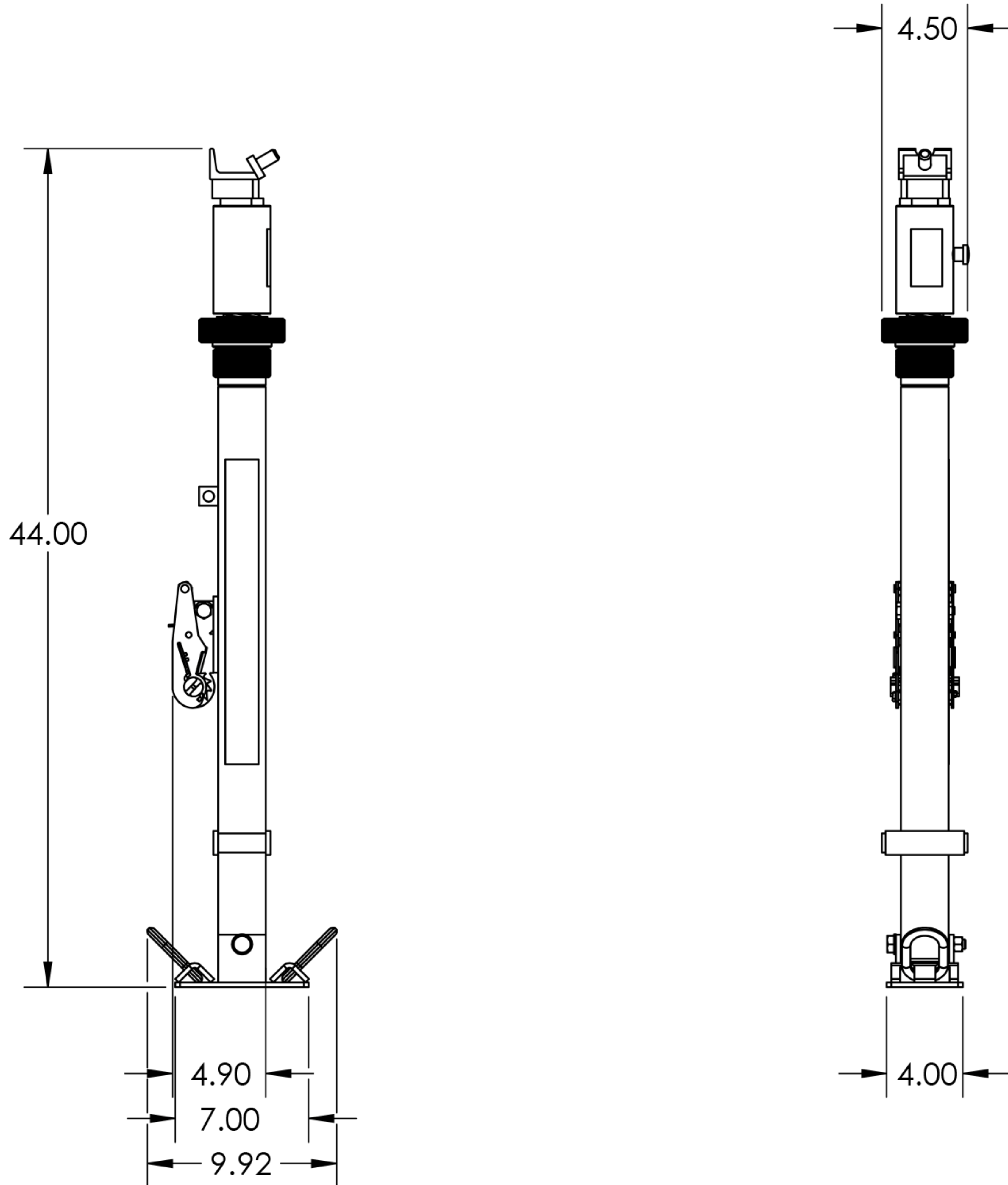
DATE UPDATED:
11/20/2015

TITLE:
SHORT AUTO-X STRUT

PART NO.
ATX-STRT-S

Res-Q-Jack®

STORAGE DIMENSIONS



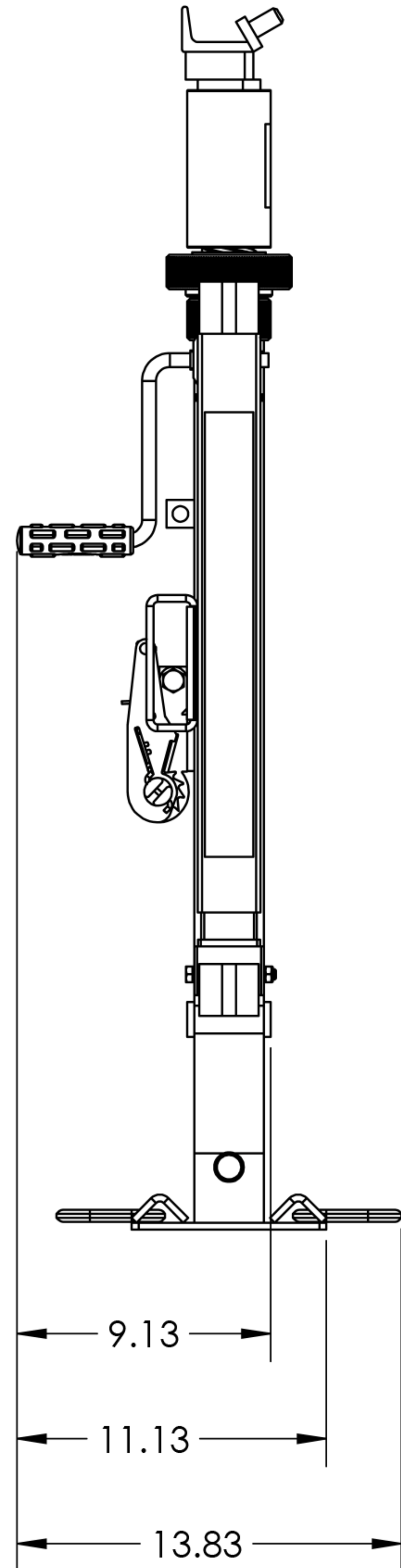
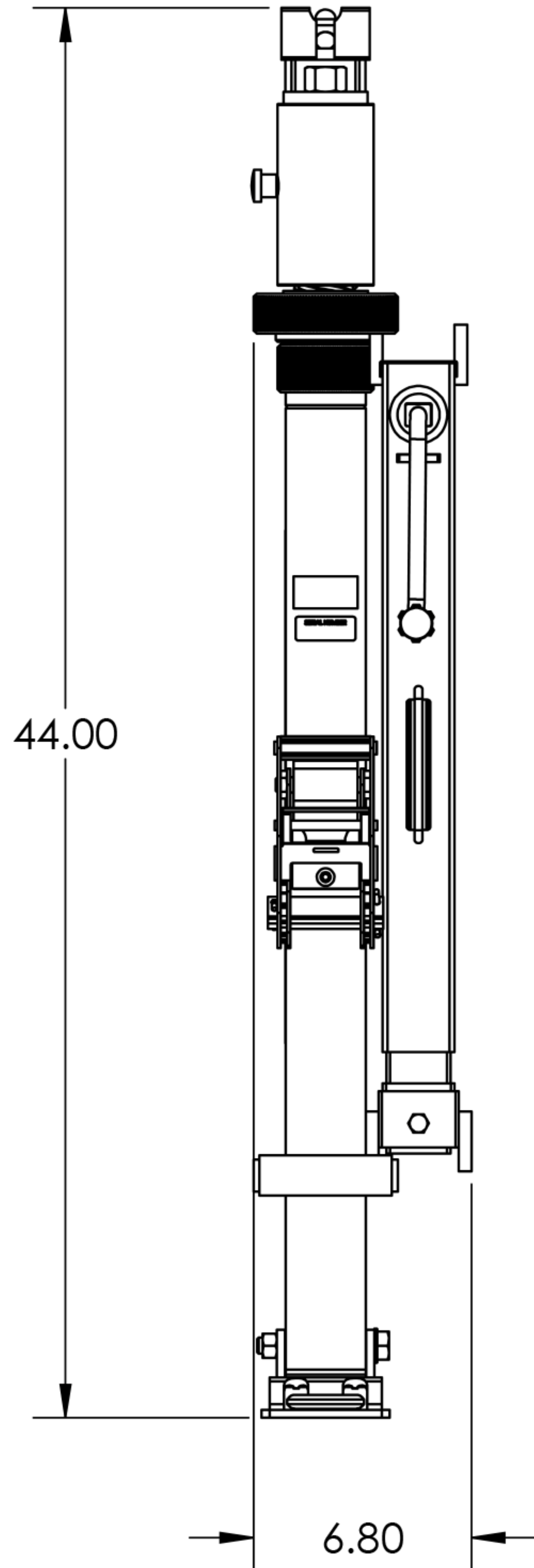
TECHNICAL DATA SHEET

DATE UPDATED:
11/20/2015

TITLE:
SHORT AUTO-X STRUT

PART NO.
ATX-STRT-S

Res-Q-Jack®



TECHNICAL DATA SHEET

DATE UPDATED:
11/23/2015

TITLE:
AUTO-X JACK

PART NO.
ATX-JACK

Res-Q-Jack®

LIFTING WLL	2,500 LBS
WEIGHT	16 LBS
TRAVEL	12 INCHES

