

H97 < B = 7 5 @ 85 H 5 ' G < 99 H

85H91 D85H98.
&#&\$#&\$%+

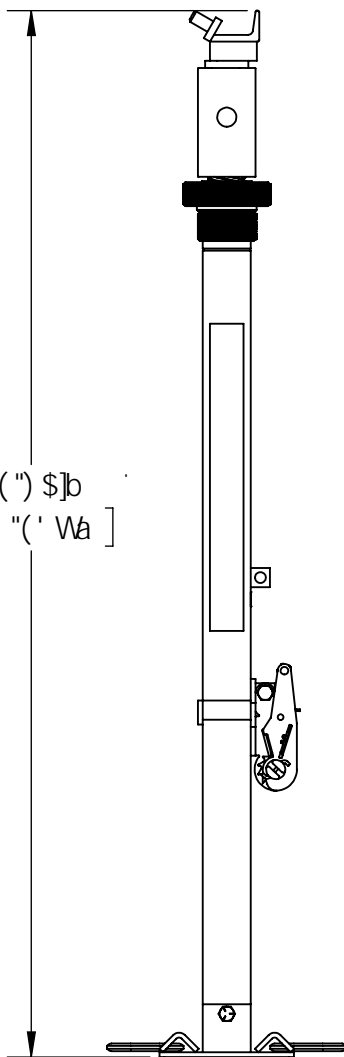
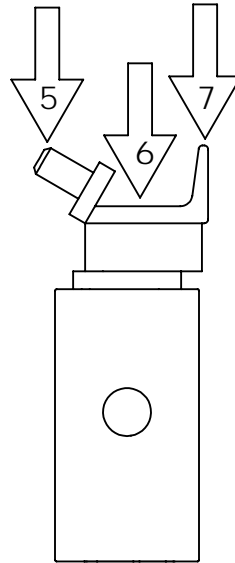


H#0.
@ C B; ' 5 I H C ' L ' G F I H

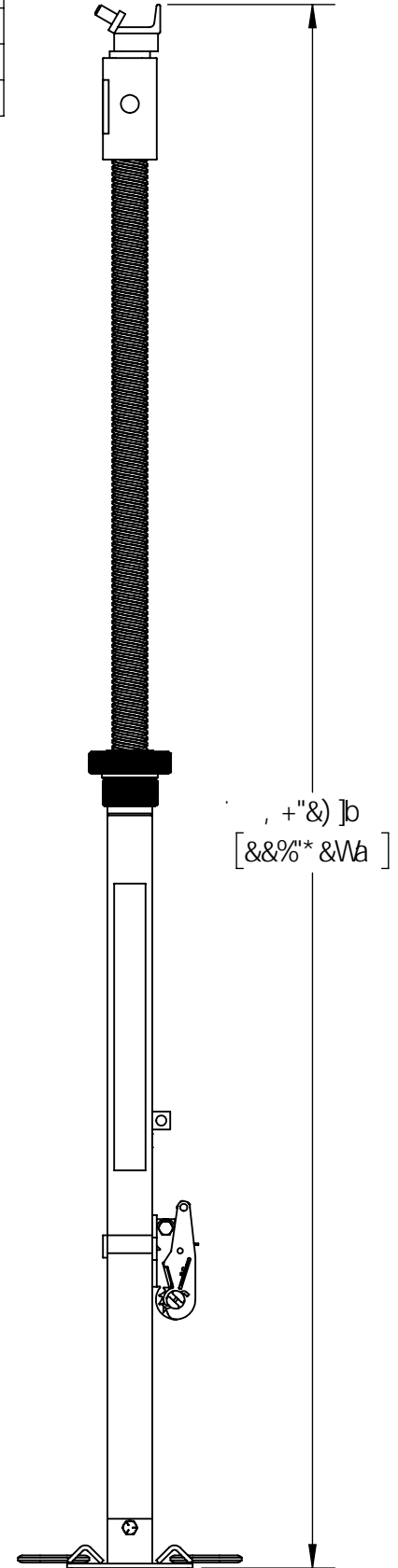
D5FHBC "
5 H ! G F H @

@ 5 8 ' F 5 H B; ' f & . % G 5 : 9 H M : 5 7 H C F

@ 7 5 H C B		K @ f i v g	K @ f l [g
5	F C I B 8 ' D C B H	& z , \$	% \$ +-
6	7 C @ A B ' ' z &) \$	' z &) \$	% (+ (
7	7 < 5 B ; F 5 6	& z , \$	% \$ +-



) (") \$] b
[% , " (' W a]



, + " &)] b
[& & % " * & W a]

G F I H K 9 = < H " , ' V g # % + " & (' [g

BC ' 9 L H L G - E B G 5 @ C K 9 8

G < 99 H % C : ' &

H97 < B = 7 5 @ 85 H 5 ' G < 99 H

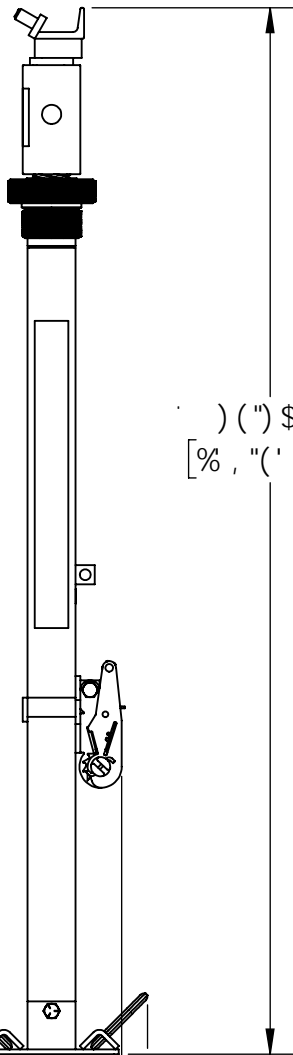
85 H 7 1 D 8 5 H 9 8 .
& # & \$ # & \$ % +



H # 0 9 .
@ C B ; ' 5 I H C ' L ' G F I H

D 5 F H B C "
5 H ! G F H @

G H C F 5 ; 9

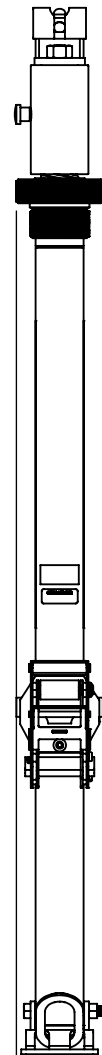


) (" \$] b
[% , " (' V a]

+ " \$ \$] b
[% + " + , V a]

, " * (] b
[& % -) V a]

- " - ,] b
[&) " " * V a]



(" \$ \$] b
[% \$ " % * V a]

(") \$] b
[% % (' V a]

H97 < B = 7 5 @ 85 H 5 ' G < 99 H

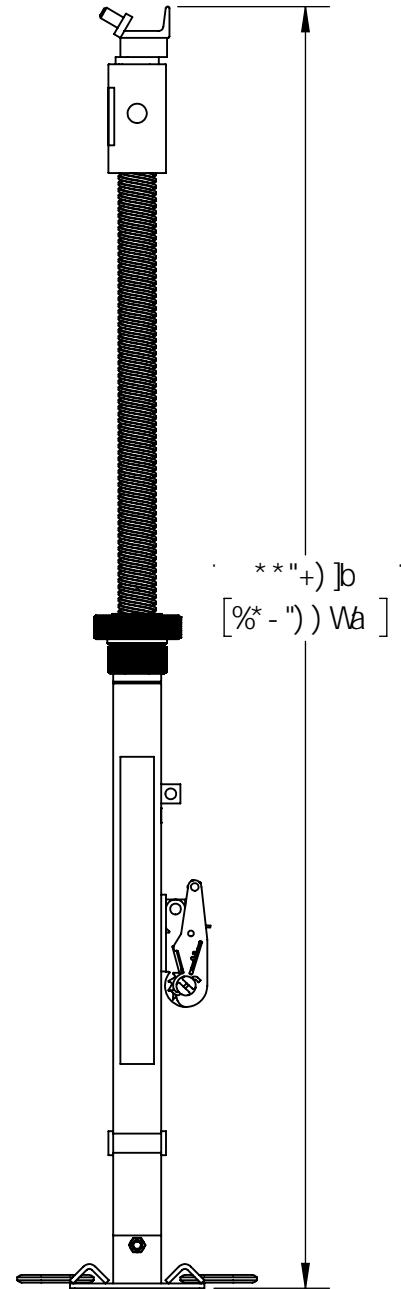
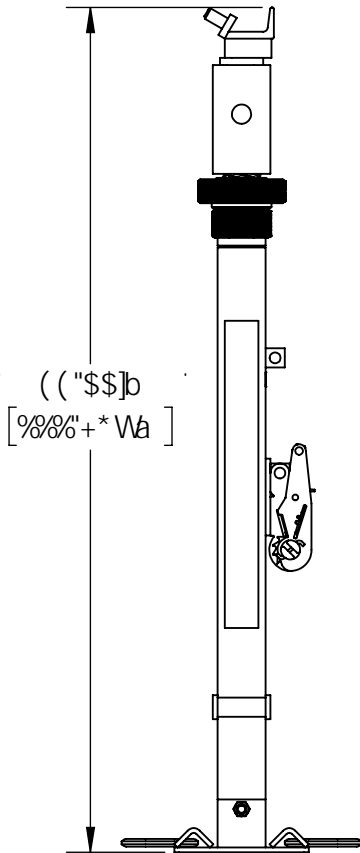
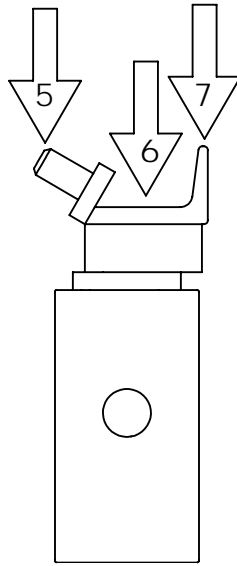
85H91 D85H98.
&#&\$#&\$%+



H#0.
G<C FH5I HC !L 'GFI H

D5FHBC "
5H!GFFHG

@ 58 'F5HB; 'f&.%G5: 9HM: 57 HC F			
@ 7 5HC B		K @@fIV g	K @@fL [g
5	FC I B8 'DC B H	&Z , \$	%\$+-
6	7 C @ A B	' z&) \$	% (+ (
7	7 < 5 B ; F56	&Z , \$	%\$+-



GFI HK 9 = < H ") ' V g # % " , , _ [g

A 5L - A I A ' C : ' CB 9 % & ' B 7 < ' 9 L H B G - C B

G < 99 H % C : ' &

H97 < B = 7 5 @ 85 H 5 ' G < 99 H

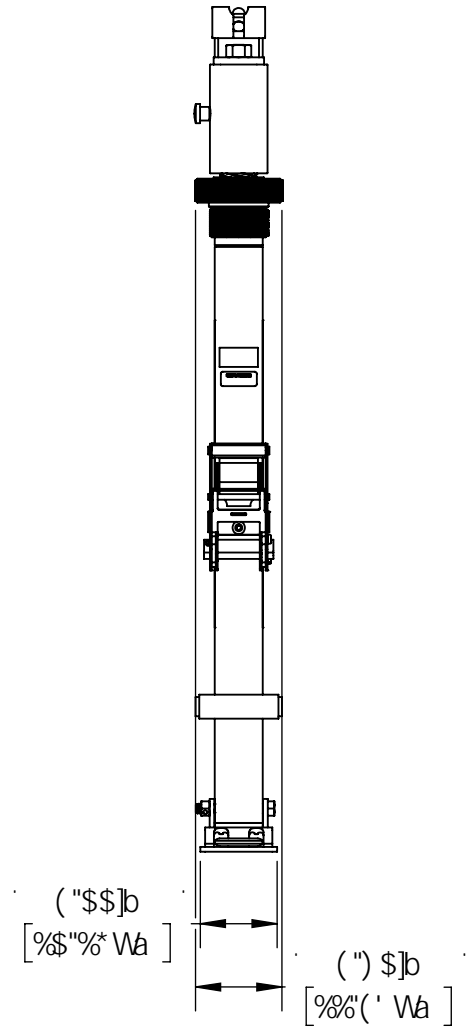
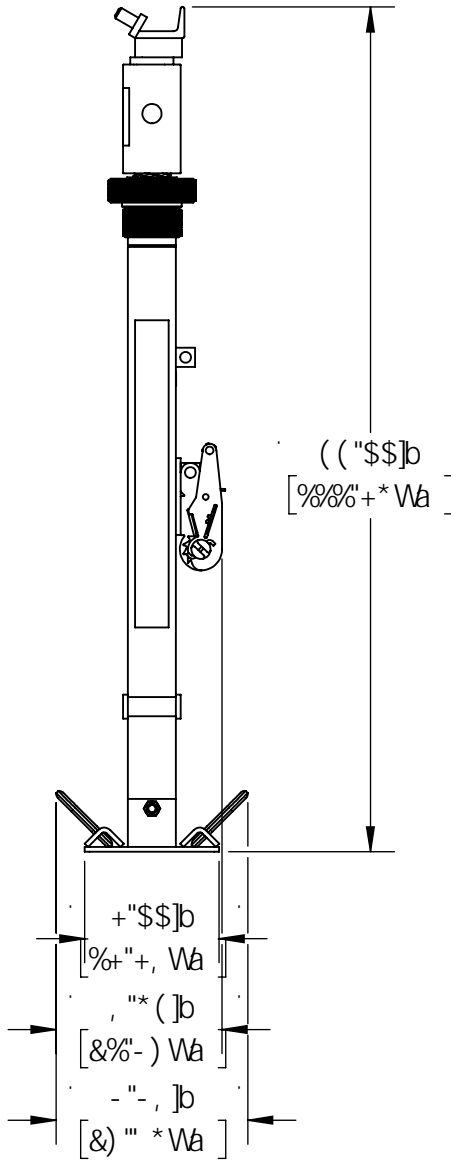
85 H 9 1 D 8 5 H 9 8 .
& # & \$ # & \$ % +



H # 0 9 .
G < C F H 5 I H C ! L ' G F I H

D 5 F H B C "
5 H ! G F H G

G C F 5 ; 9



H97 < B = 5 @ 85 H 5 G < 99 H

85H91 D85H98.
' #/%#&\$%+



H#0.
51 HC 'L' > 57?

D5FHBC "
5HL! > 57?

@= HB; 'K @' & z) \$\$ '@G#%' ' '?; G

HF5J 9@ '%&' B# \$"(, '7 A

K 9= < H '&&' @G# "-, '?; G

