

# TECHNICAL DATA SHEET

DATE UPDATED:  
10/15/2018

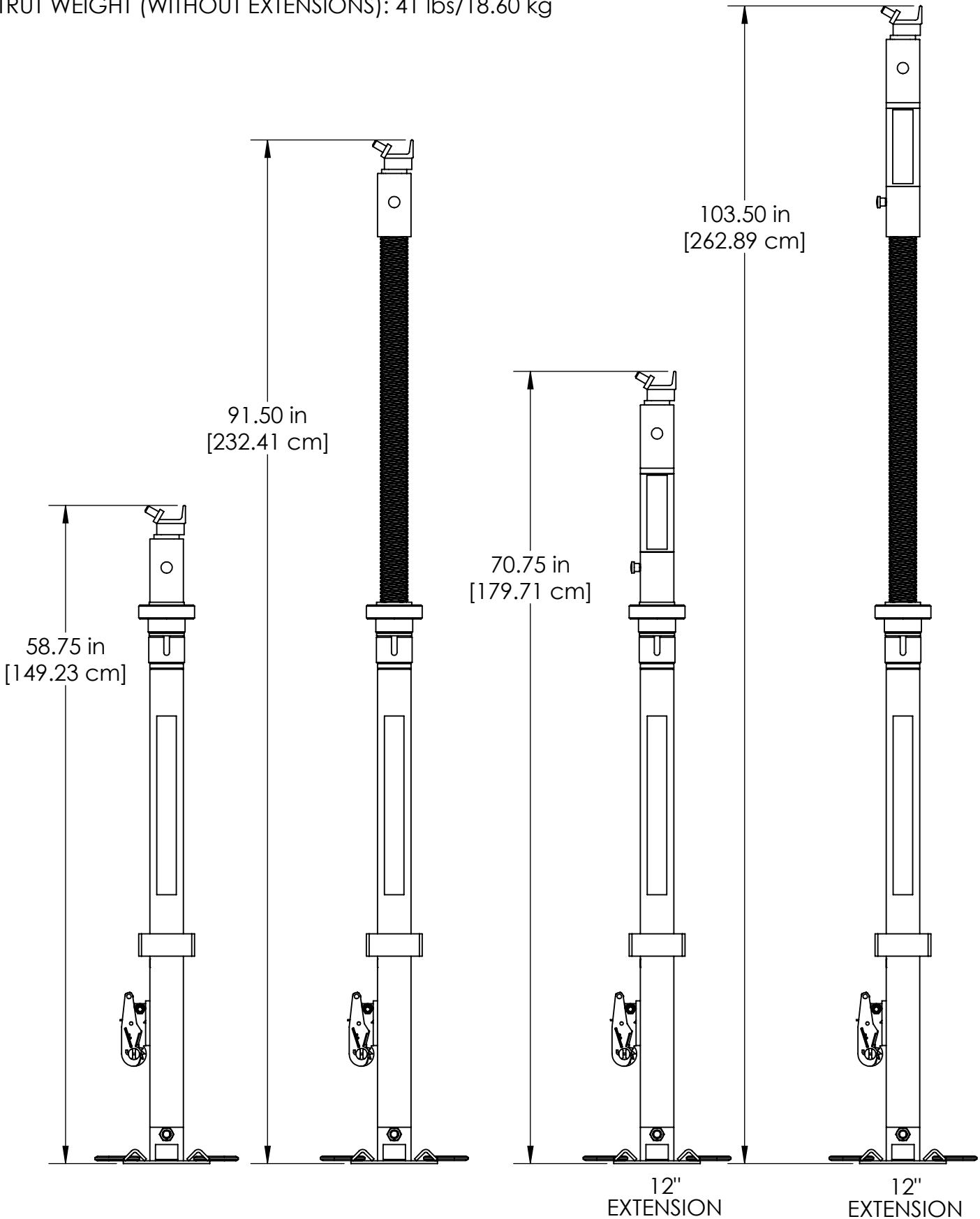
REV:  
B

TITLE:  
LONG APEX STRUT

PART NO.  
APX-LSTRT



STRUT WEIGHT (WITHOUT EXTENSIONS): 41 lbs/18.60 kg



# TECHNICAL DATA SHEET

DATE UPDATED:  
10/15/2018

REV:  
B

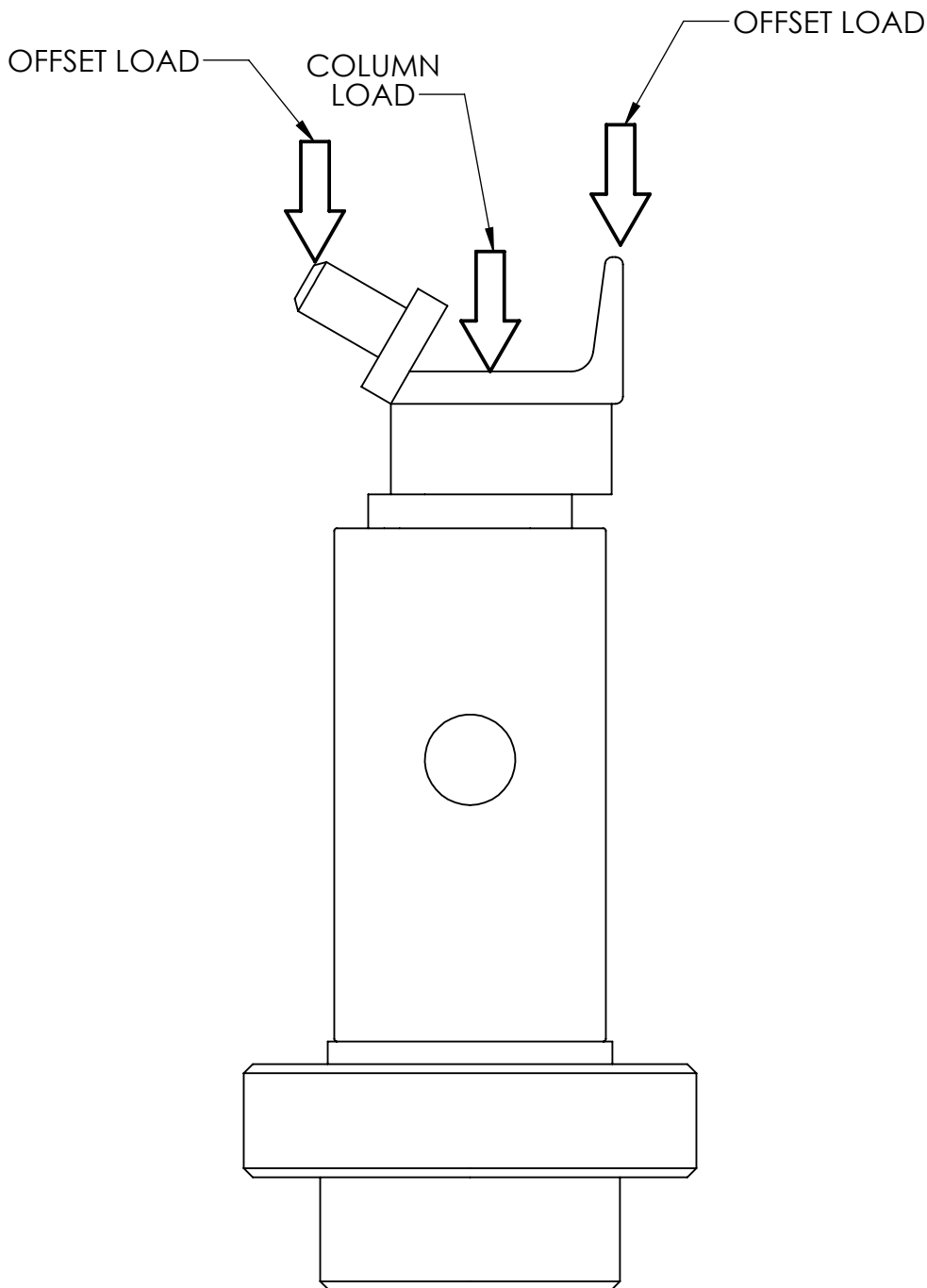


TITLE:  
LONG APEX STRUT

PART NO.  
APX-LSTRT

## LOAD RATING (2:1 SAFETY FACTOR)

	HEIGHT (in)	HEIGHT (cm)	COLUMN (lbs)	OFFSET (lbs)	COLUMN (kgs)	OFFSET (kgs)
SHORT STRUT: COLLAPSED - EXTENDED	45.17-62.75	114.73-159.39	12,500	6,900	5,669	3,129
SHORT STRUT: EXTENDED WITH 12" EXTENSION	62.75-74.75	159.39-189.87	9,400	5,400	4,263	2,449
LONG STRUT: COLLAPSED - EXTENDED	58.75-91.5	149.23-232.41	7,750	5,200	3,515	2,358
LONG STRUT: EXTENDED WITH 12" EXTENSION	91.5-103.5	232.41-262.89	5,400	3,700	2,449	1,678



# TECHNICAL DATA SHEET

DATE UPDATED:  
10/15/2018

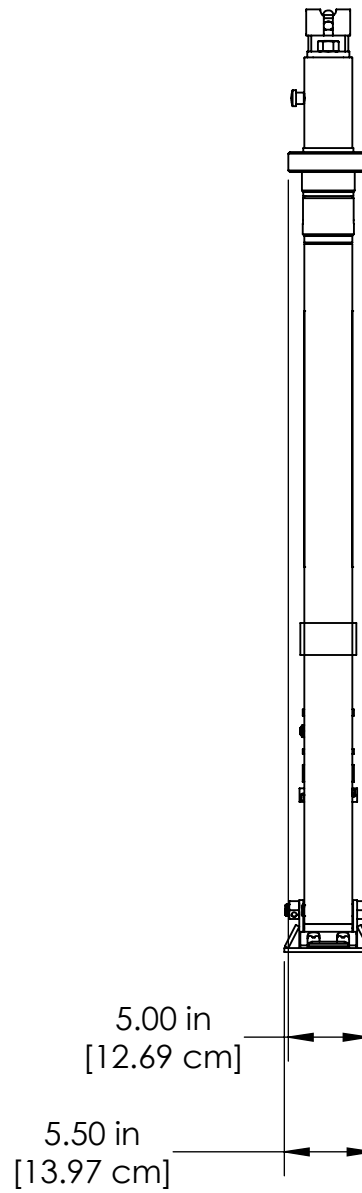
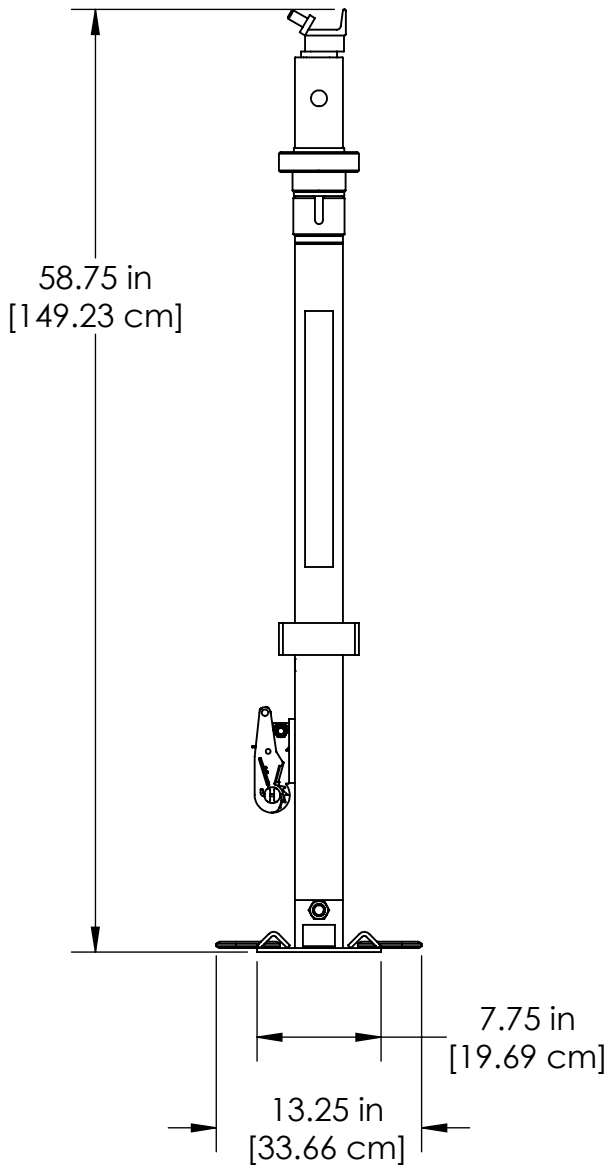
REV:  
B

TITLE:  
LONG APEX STRUT

PART NO.  
APX-LSTRT



## STORAGE



# TECHNICAL DATA SHEET

DATE UPDATED:  
10/15/2018

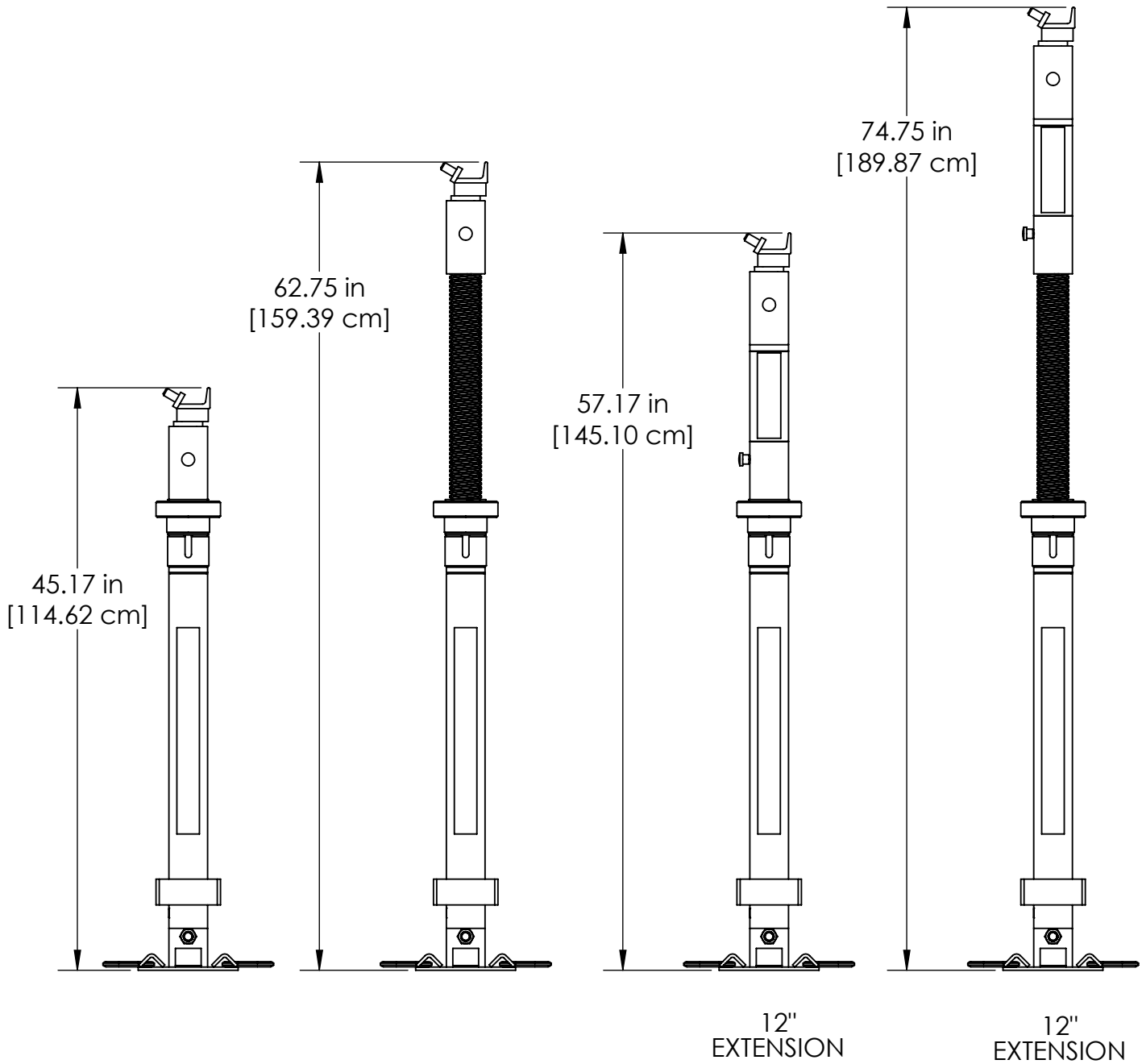
REV:  
B



TITLE:  
SHORT APEX STRUT

PART NO.  
APX-SSTRT

STRUT WEIGHT (WITHOUT EXTENSIONS): 33 lbs/14.97 kg



# TECHNICAL DATA SHEET

DATE UPDATED:  
10/15/2018

REV:  
B

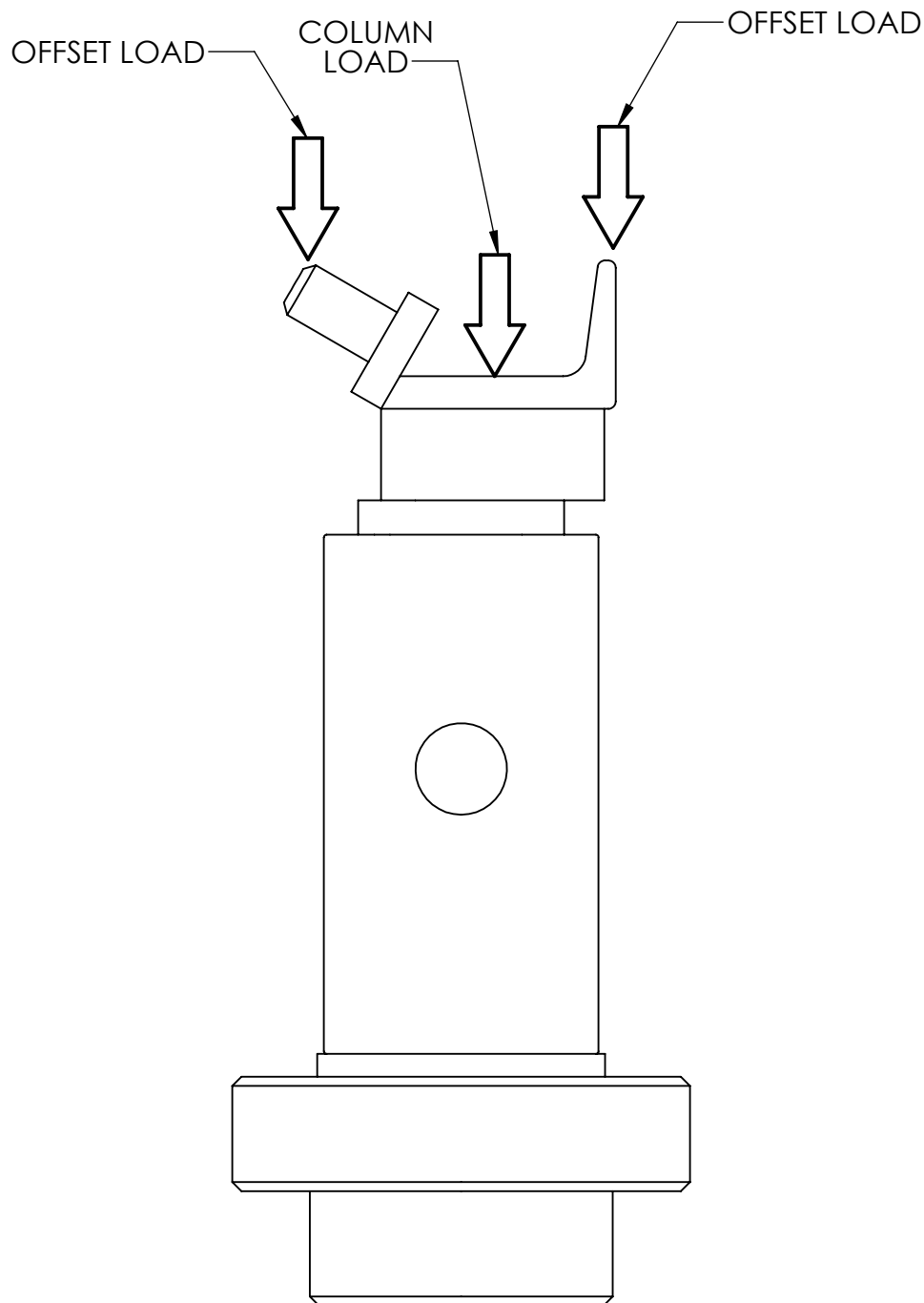


TITLE:  
SHORT APEX STRUT

PART NO.  
APX-SSTRT

## LOAD RATING (2:1 SAFETY FACTOR)

	HEIGHT (in)	HEIGHT (cm)	COLUMN (lbs)	OFFSET (lbs)	COLUMN (kgs)	OFFSET (kgs)
SHORT STRUT: COLLAPSED - EXTENDED	45.17-62.75	114.73-159.39	12,500	6,900	5,669	3,129
SHORT STRUT: EXTENDED WITH 12" EXTENSION	62.75-74.75	159.39-189.87	9,400	5,400	4,263	2,449
LONG STRUT: COLLAPSED - EXTENDED	58.75-91.5	149.23-232.41	7,750	5,200	3,515	2,358
LONG STRUT: EXTENDED WITH 12" EXTENSION	91.5-103.5	232.41-262.89	5,400	3,700	2,449	1,678



# TECHNICAL DATA SHEET

DATE UPDATED:  
10/15/2018

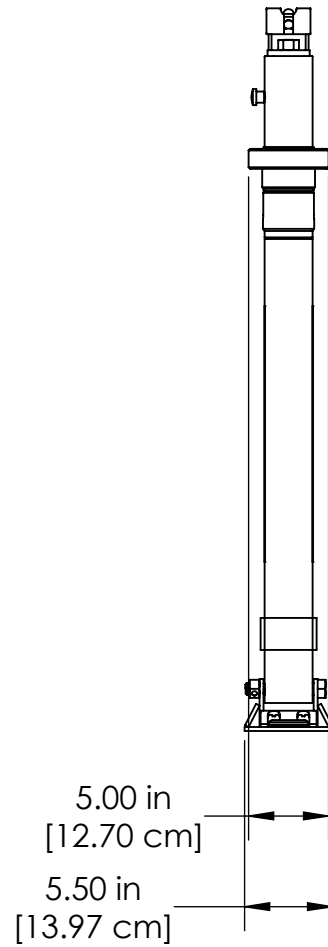
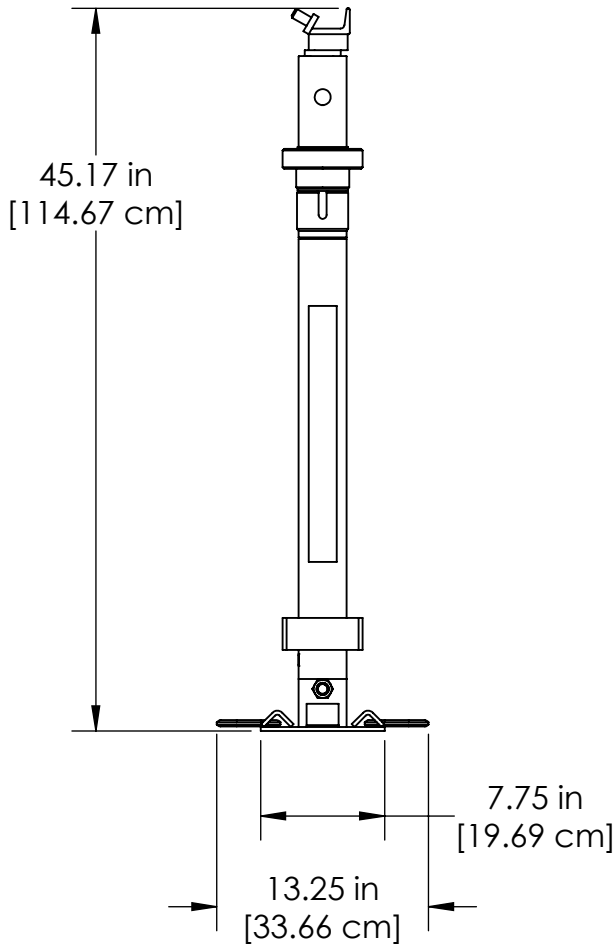
REV:  
B



TITLE:  
SHORT APEX STRUT

PART NO.  
APX-SSTRT

## STORAGE



# TECHNICAL DATA SHEET

DATE UPDATED:  
09/27/18

REV:  
A

TITLE:  
APEX JACK

PART NO.  
APX-(D)JACK



LIFTING WLL: 6,000 LBS/2,721 KGS  
TRAVEL: 12 IN/30.48 CM  
WEIGHT: 20 LBS/9.07 KGS

