

H97 < B = 7 5 @ 85 H 5 ' G < 99 H

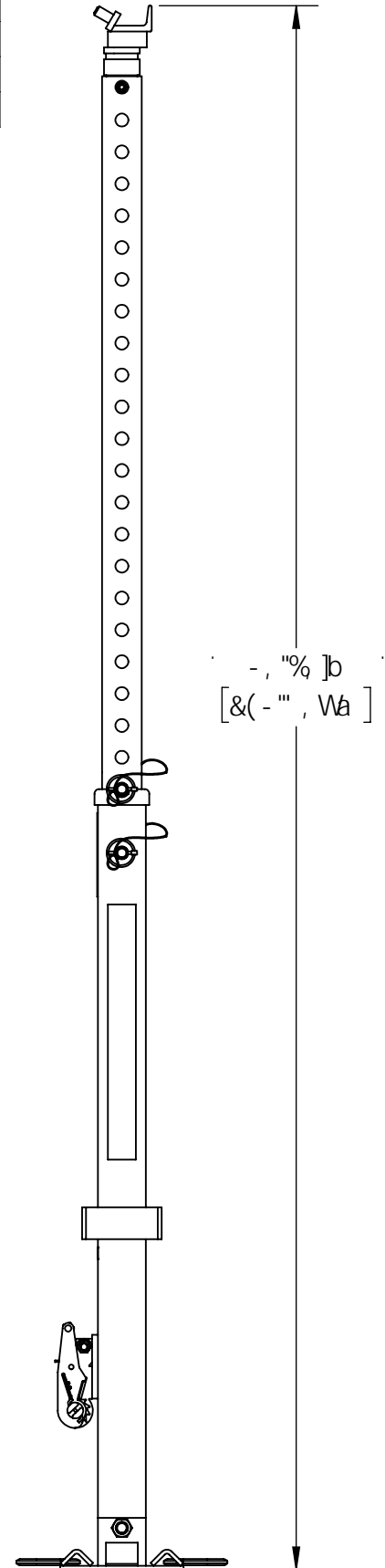
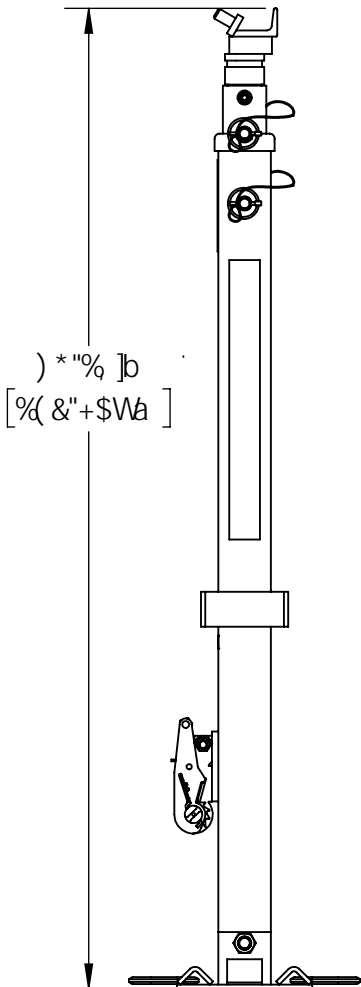
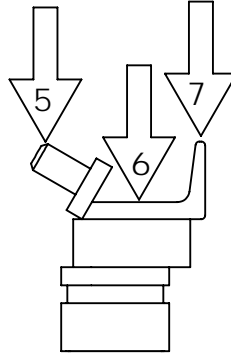
85H91 D85H98.
&#;&#;&#;&\$%+



H#0.
@ C B; ' 5 @ A B I A ' L ' G F I H

D5FHBC "
5 @ ! G F H

@ 5 8 ' F 5 H B; ' f & . % G 5 : 9 H M : 5 7 H C F			
@ 7 5 H C B		K @ f I V g	K @ f L [g
5	F C I B 8 ' D C B H	* ž + \$ \$	' ž \$ -
6	7 C @ A B	- ž + \$ \$	(ž - -
7	7 < 5 B; F 5 6) ž * \$ \$	& ž (\$



G F I H K 9 = < H (* ' V g # & \$, + _ [g

G < 99 H % C : ' &

H97 < B = 7 5 @ 85 H 5 ' G < 99 H

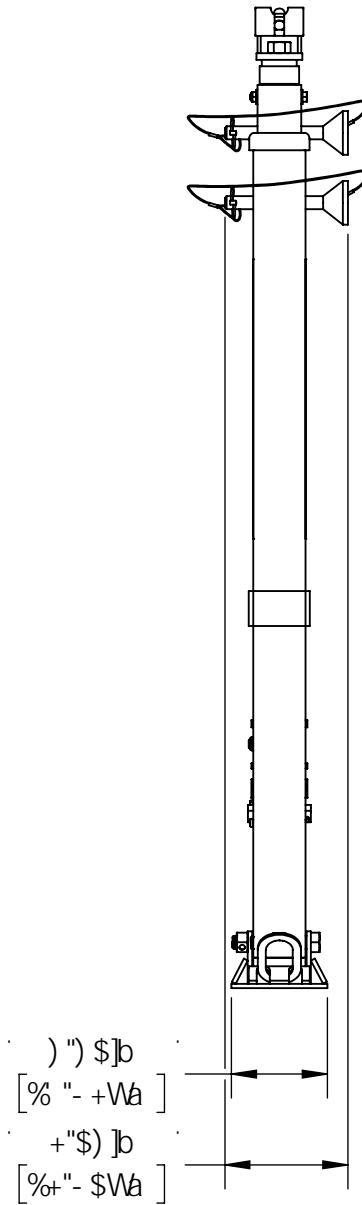
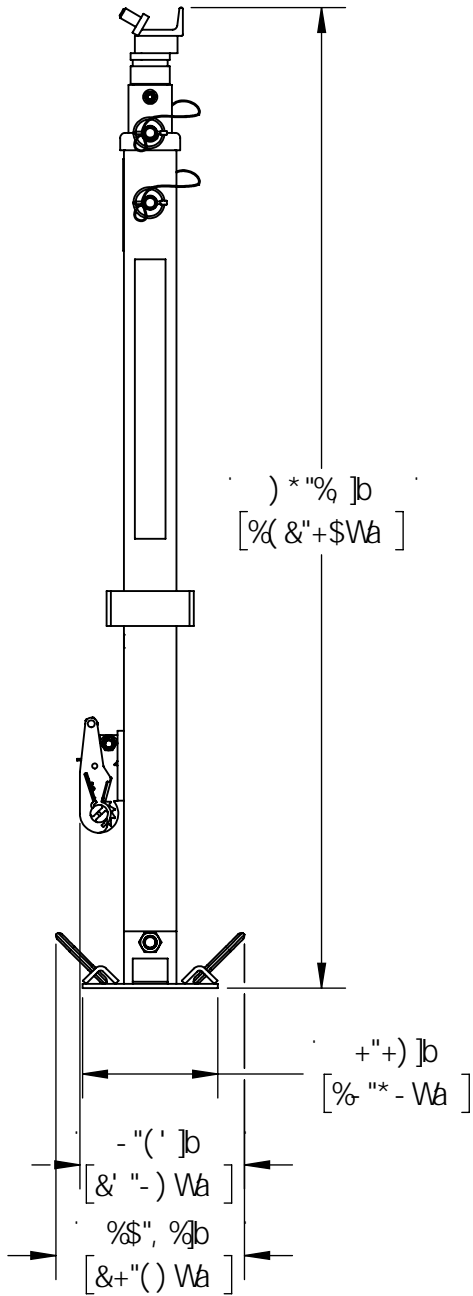
85 H 7 1 D 8 5 H 9 8 .
& # & & # & \$ % +



H # 0 9 .
@ B ; ' 5 @ A B I A ' L ' G F I H

D 5 F H B C "
5 @ ! G F H

G C F 5 ; 9



H97 < B = 7 5 @ 85 H 5 ' G < 99H

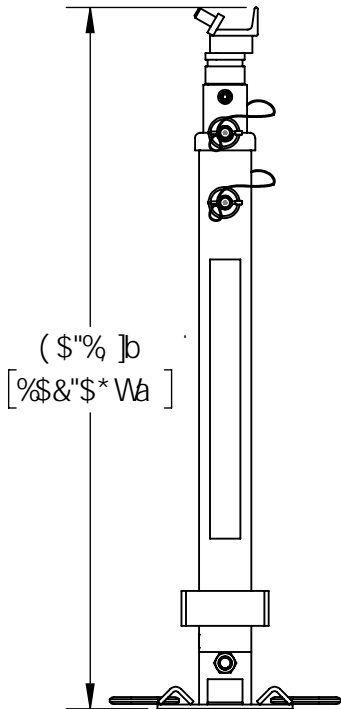
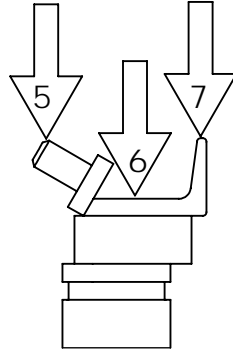
85H91 D85H98.
&#&#&#&\$%+



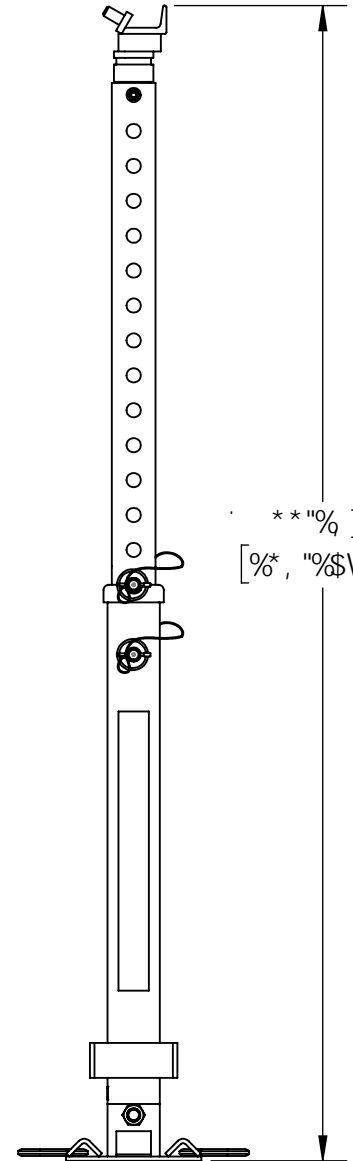
H#09.
G<C FH5 @ A -B I A ' L' GF I H

D5FHBC "
G5 L! GF H

@ 58 ' F5 HB ; ' f&. %G5 : 9HM: 57 HC F			
@ 7 5 HC B		K @@fIV g	K @@fL [g
5	FC I B 8 ' DC -BH	* ž+ \$\$	' ž\$' -
6	7 C @ A B	- ž+ \$\$	(ž --
7	7 < 5 -B ; F56) ž* \$\$	&ž) (\$



(\$ "%]b
[% \$ & " \$ * V a]



** "%]b
[% * , " % \$ V a]

GF I HK 9 ÷ < H ' (\$ ' V g # % " % \ ' _ [g

G< 99H % C : ' &

H97 < B = 7 5 @ 85 H 5 ' G < 99 H

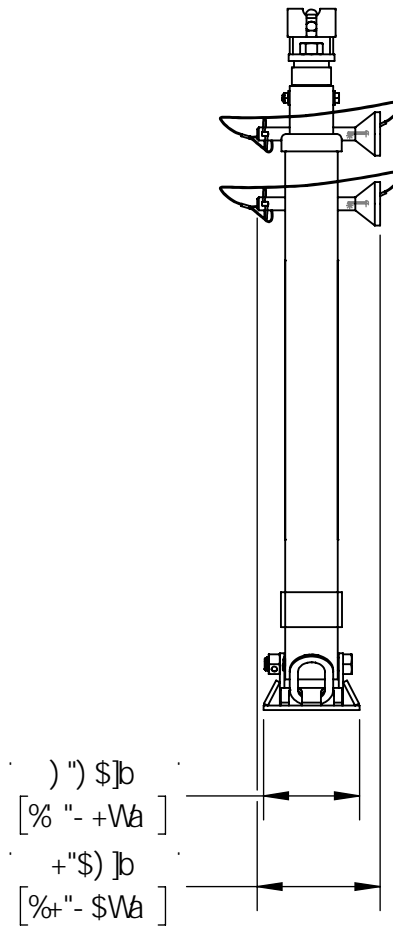
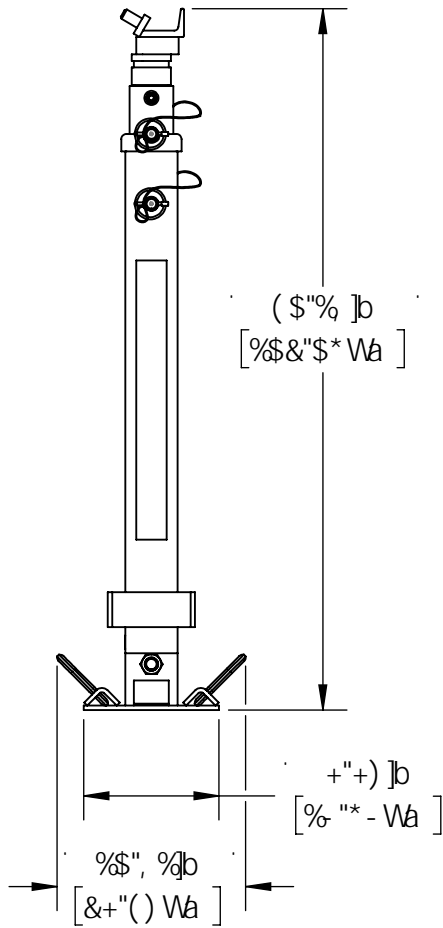
85 H 1 D 8 5 H 8 .
& # & # & # & \$ % +



H # 9 .
G < C F H 5 @ A - B I A ' L ' G F I H

D 5 F H B C "
G 5 L ! G F H

G < C F 5 ; 9



H97 < B 7 5 @ 85 H 5 ' G < 99 H

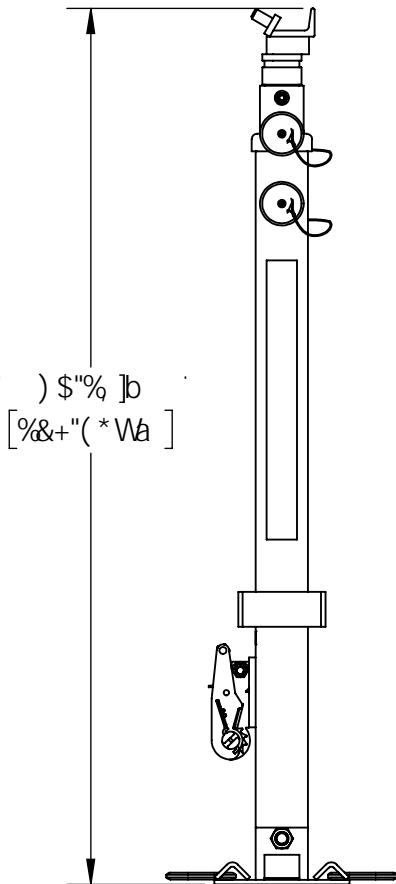
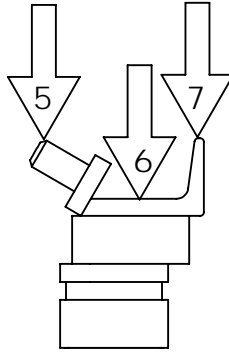
85H91 D85H98.
&#&#&#&\$%+



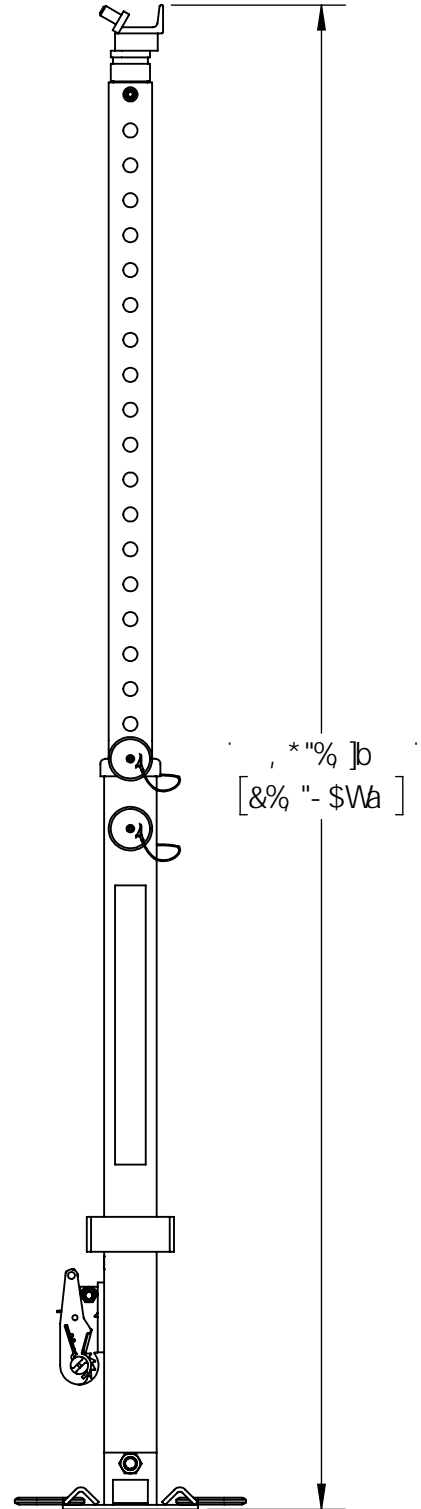
H#09.
D<C 9B ± ' 5 @ A B I A ' L ' G F I H

D5FHBC "
5 @ ! G F H D <

@ 5 8 F 5 H B ; ' f & . % G 5 : 9 H M : 5 7 H C F			
@ 7 5 H C B		K @ f I V g	K @ f L [g
5	F C I B 8 ' D C B H	* ž + \$ \$	' ž \$ ' -
6	7 C @ A B	- ž + \$ \$	(ž - -
7	7 < 5 B ; F 5 6) ž * \$ \$	& ž) (\$



) \$ "%] b
[% & + " (* W a]



, * "%] b
[& % " - \$ W a]

G F I H K 9 7 < H () ' V g # & \$ (' % _ [g

G < 99 H % C : ' &

H97 < B = 7 5 @ 85 H 5 ' G < 99 H

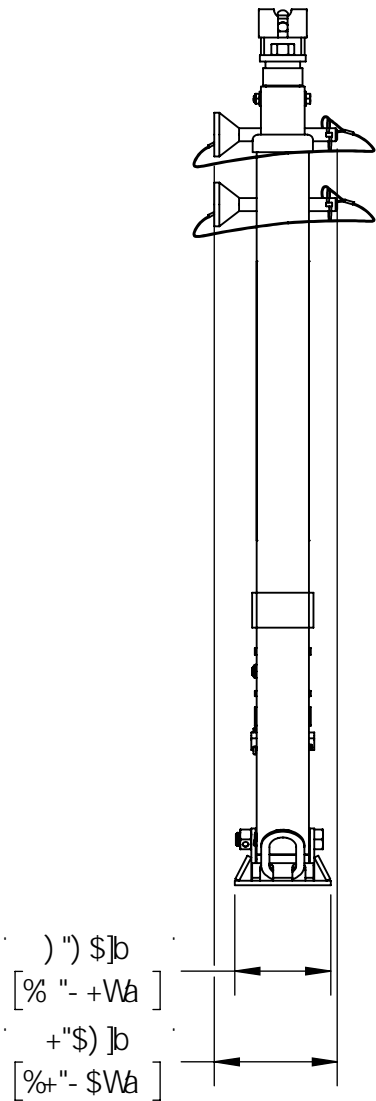
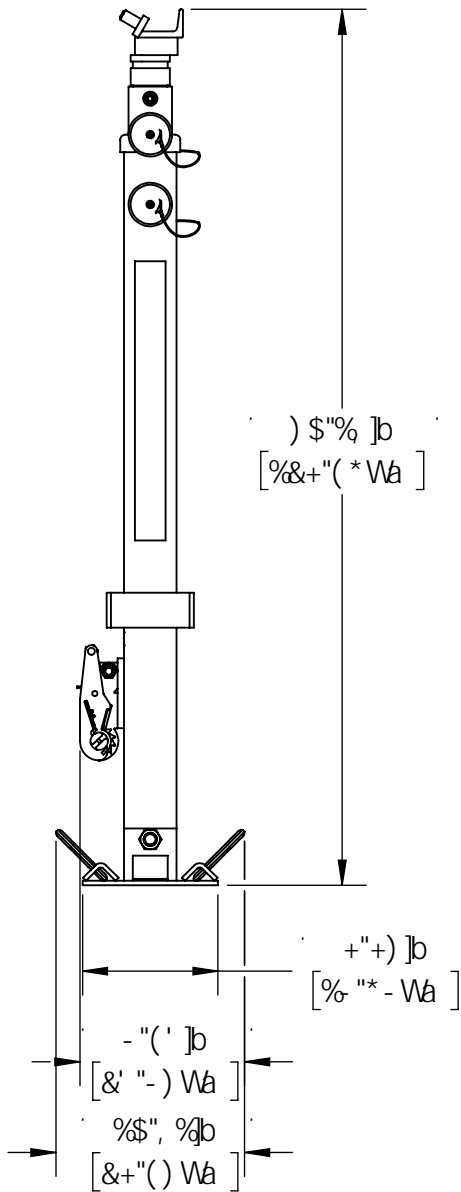
85 H 7 1 D 8 5 H 9 8 .
& # & # & # & \$ % +



H # 0 9 .
D < C 9 B ± ' 5 @ A = B I A ' L ' G F I H

D 5 F H B C "
5 @ ! G F H D <

G C F 5 ; 9



H97 < B = 5 @ 85 H 5 ' G < 99H

85H91 D85H98.
' #/%#&\$%+



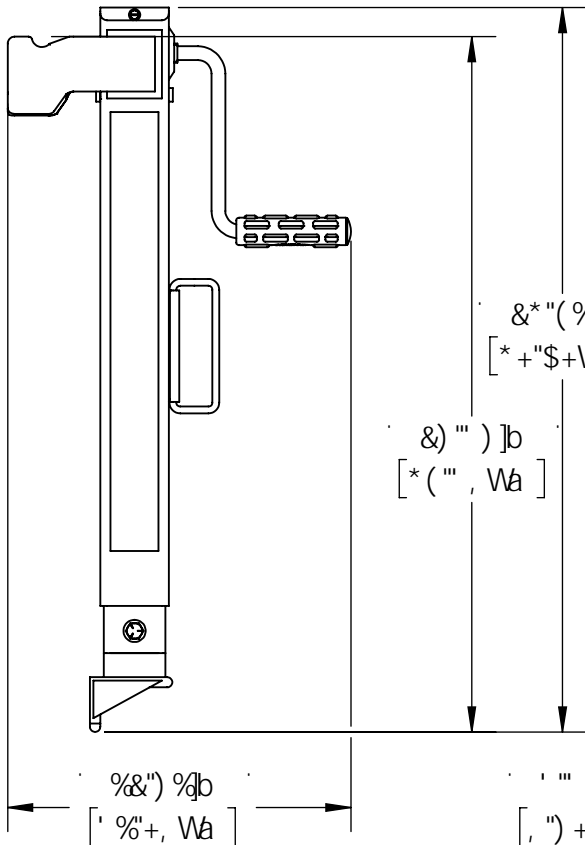
H#0.
5 @ A B I A ' L ' > 5 7 ?

D5FHBC "
5 @ ! > 5 7 ?

@= HB; ' K @ @ ' * \$\$\$ @ G # & + & % ? ; G

HF5J 9 @ % & B # \$ "(, ' 7 A

K 9 = < H ' \$ ' @ G # % " * % ? ; G



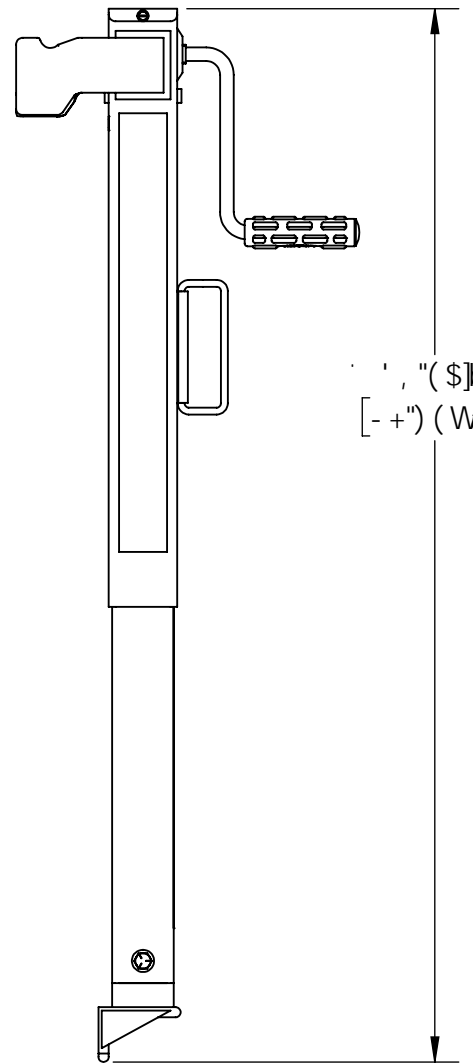
& * " (%] b
[* + " \$ + V a]

&) " ")] b
[* (" " , V a]

% & ") %] b
[' % " + , V a]

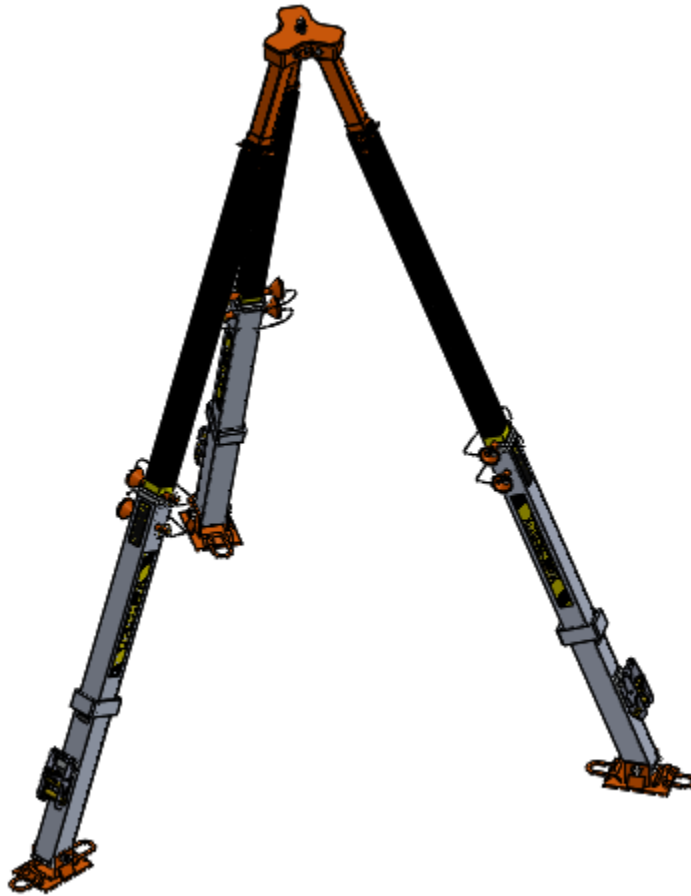
' " " ,] b
[, ") + V a]

) " " \$] b
[% " (* V a]



' , " (\$] b
[- + ") (V a]

Aluminum X Tripod Setup Instructions



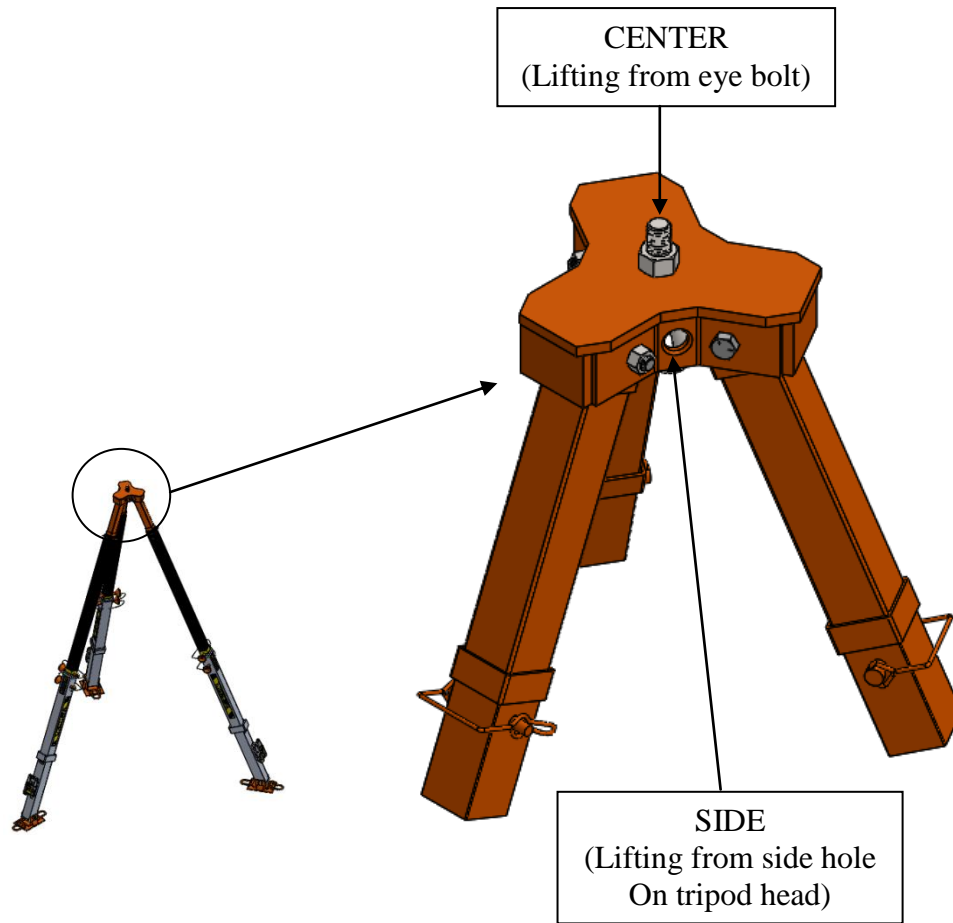
Res-Q-Jack

1280 Lake Street Elmira, NY 14901

1-800-466-9626

Website: www.res-q-jack.com

email: info0@res-q-jack.com



LOAD RATINGS (AT MAXIMUM TRIPOD HEIGHT, 115" FROM BOTTOM OF BASE PLATE TO TOP OF TRIPOD HEAD) WITH A STRUT ANGLE OF 68°		
SAFETY FACTOR	CENTER	SIDE
2:1 WLL	9,120 LBS	5,944 LBS
3:1 WLL	6,080 LBS	3,962 LBS
4:1 WLL	4,560 LBS	2,972 LBS
5:1 WLL	3,648 LBS	2,377 LBS

- To be used by those trained in confined space rescue using tripods.
- Res-Q-Jack does not manufacture hoisting components. Consult supplier of those components for information.

CAUTION: Shock or dropped loads on certain surfaces may cause entire tripod assembly to bounce and draw in. To prevent this from occurring may need to stake base plates or secure with straps or chains away from center.

Prior to use:

- Inspect all components for cracks and any other damage.
- Inspect that eye bolt is threaded completely through nut.
- Ensure eye bolt spins freely in tripod head.

If damaged remove from service and contact Res-Q-Jack.

Setup

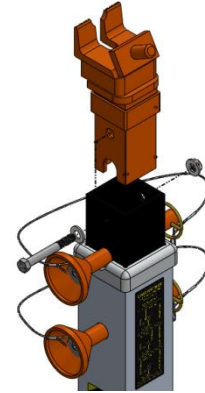
Required Equipment

- (1) ALX Tripod Head Assembly
- (3) Aluminum X Struts (Shorter struts may be used but will not reach full height)

Aluminum X Tripod Set Up Instructions

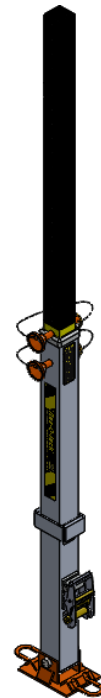
Step 1

Remove Bolt, nut, and two washers and remove Swivel CRG Head from strut.



Step 2

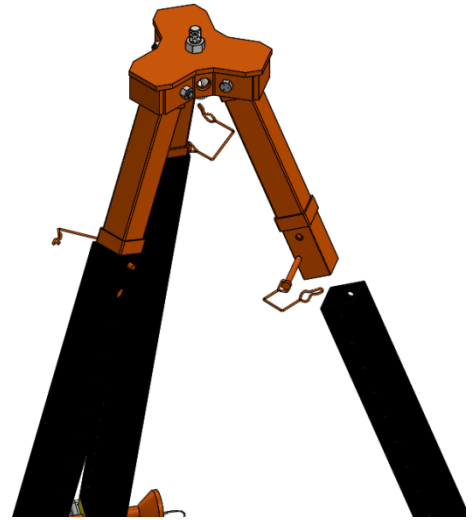
Remove two Cone Pins, fully extend strut, and reinstall two cone pins.



Aluminum X Tripod Set Up Instructions

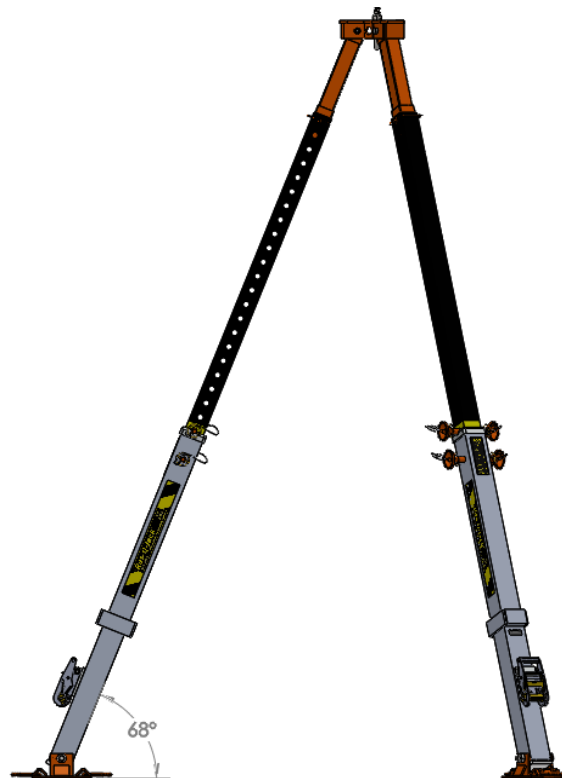
Step 3

Remove Tab Lock Pin, slide strut onto Tripod Head Assy, and reinstall Tab Lock Pin.



Step 4

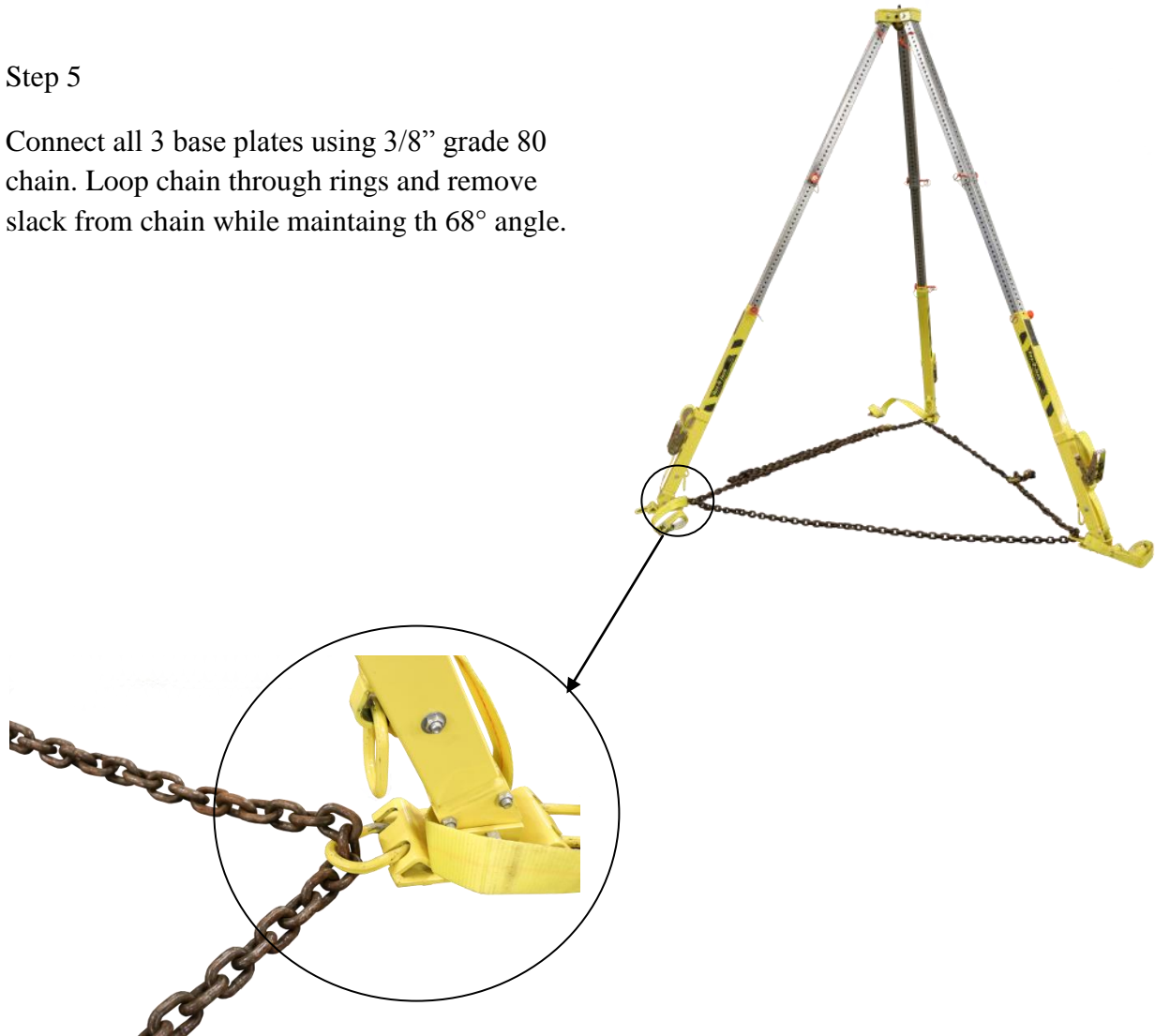
Set each leg of tripod at a 68° angle. Tripod Leg should not touch Tripod Head.



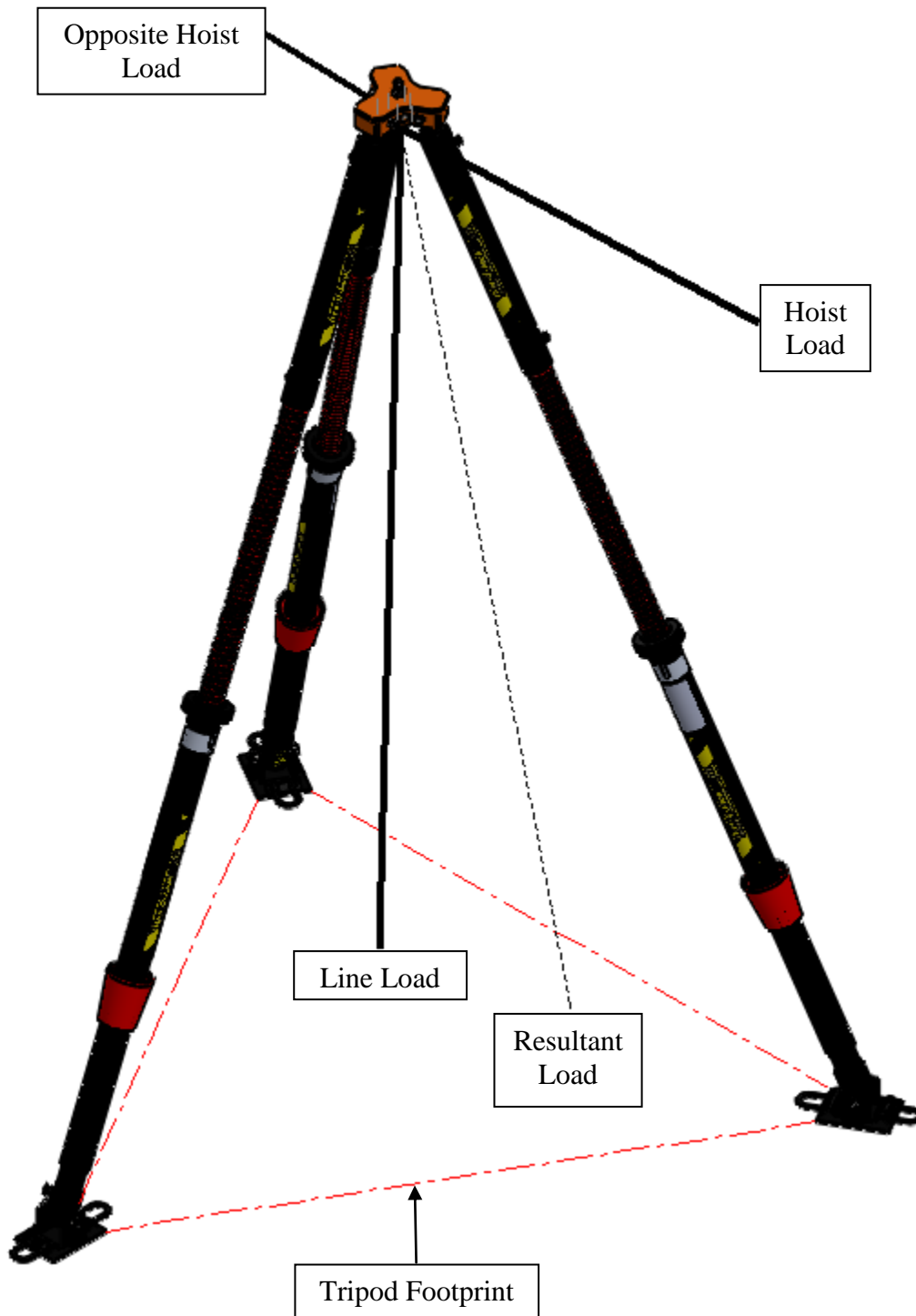
Aluminum X Tripod Set Up Instructions

Step 5

Connect all 3 base plates using 3/8" grade 80 chain. Loop chain through rings and remove slack from chain while maintaining the 68° angle.



Resultant force must lie within the footprint of tripod to prevent the lifting of any legs.



If direction of hoist load causes resultant force to approach boundaries of tripod footprint, may attach line to tripod head opposite hoist load causing resultant force to remain in tripod footprint.