

TECHNICAL DATA SHEET

DATE UPDATED:
9/27/2018

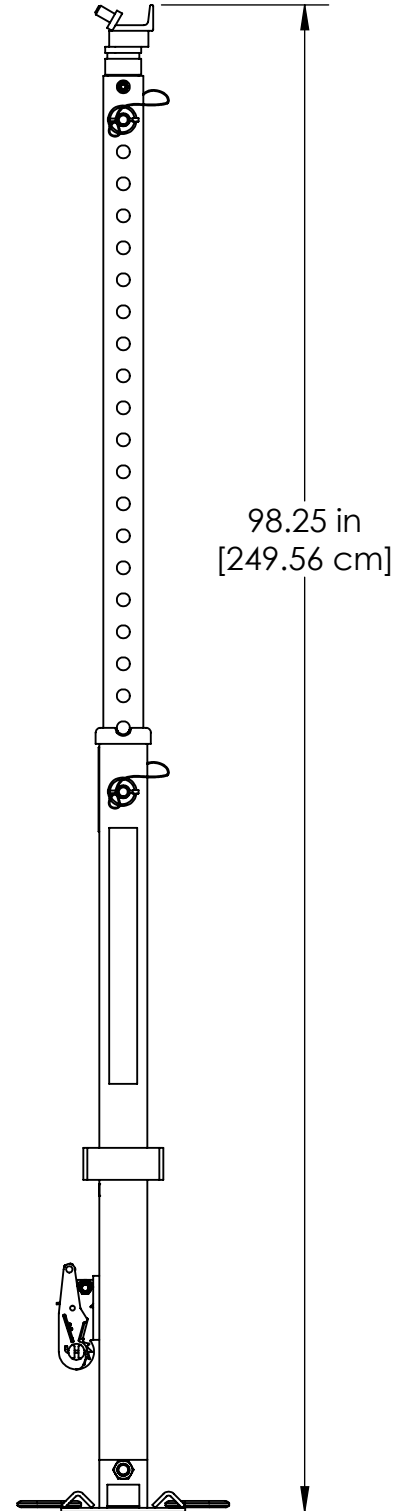
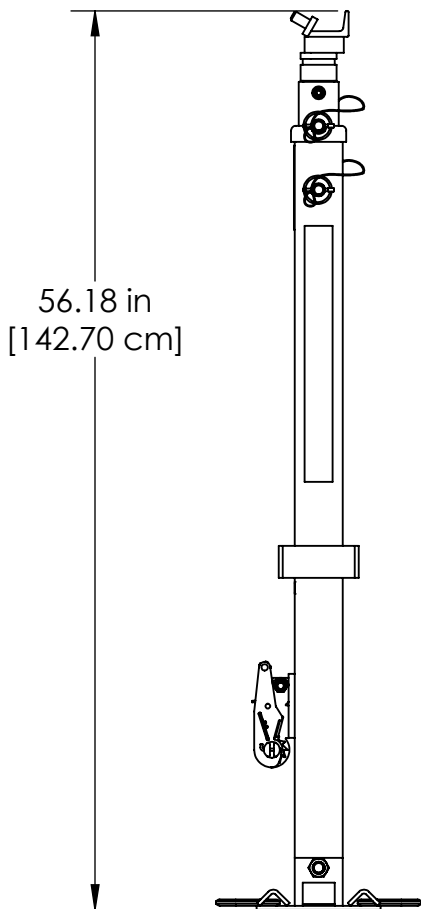
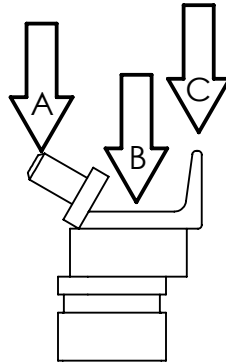
REV:
A



TITLE:
LONG ALUMINUM X STRUT

PART NO.
ALX-STRT

LOAD RATING (2:1 SAFETY FACTOR)			
LOCATION		WLL (lbs)	WLL (kgs)
A	ROUND POINT	6,700	3,039
B	COLUMN	9,700	4,399
C	CHAIN GRAB	5,600	2,540



STRUT WEIGHT: 42 lbs/19.05 kg

TECHNICAL DATA SHEET

DATE UPDATED:
9/27/2018

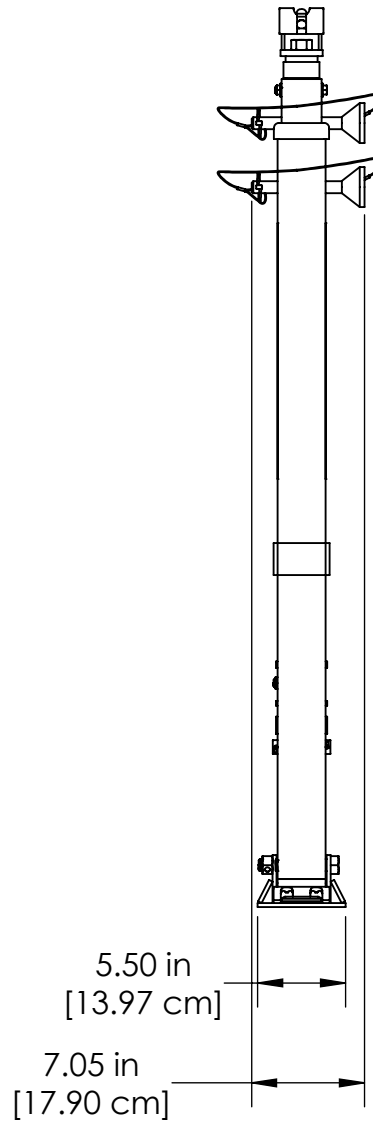
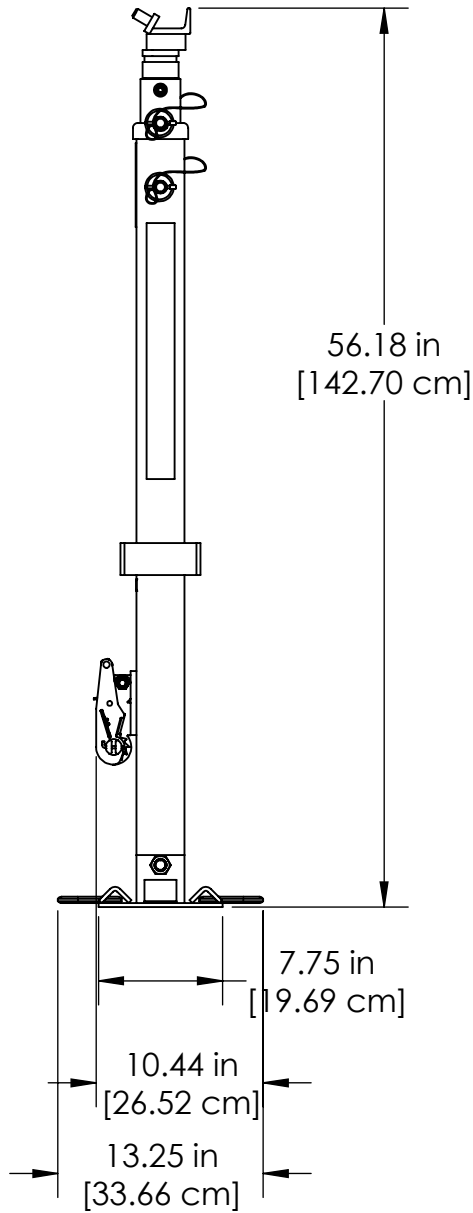
REV:
A



TITLE:
LONG ALUMINUM X STRUT

PART NO.
ALX-STRT

STORAGE



TECHNICAL DATA SHEET

DATE UPDATED:
9/27/2018

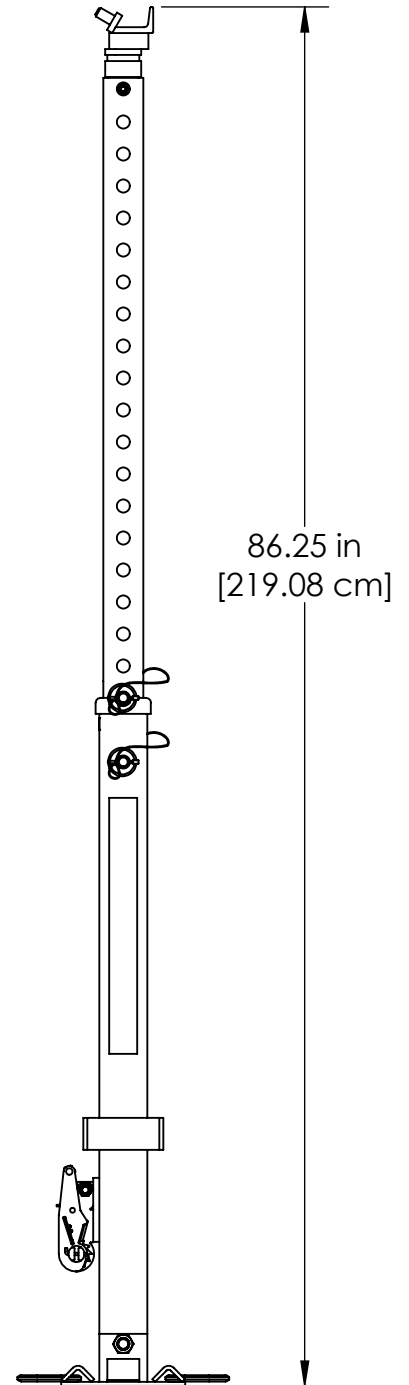
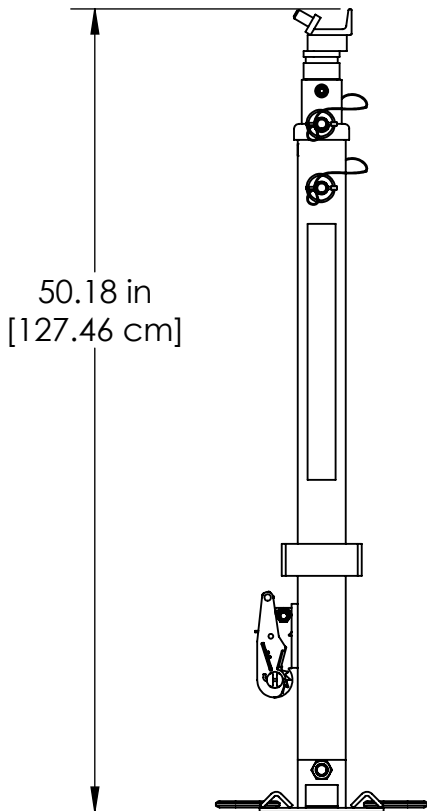
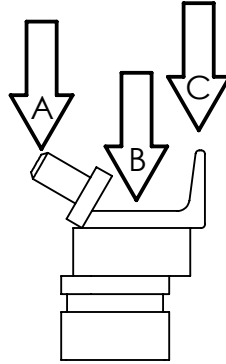
REV:
A



TITLE:
PHOENIX ALUMINUM X STRUT

PART NO.
ALX-STRT-PH

LOAD RATING (2:1 SAFETY FACTOR)			
LOCATION		WLL (lbs)	WLL (kgs)
A	ROUND POINT	6,700	3,039
B	COLUMN	9,700	4,399
C	CHAIN GRAB	5,600	2,540



STRUT WEIGHT: 37 lbs/16.78 kg

TECHNICAL DATA SHEET

DATE UPDATED:
9/27/2018

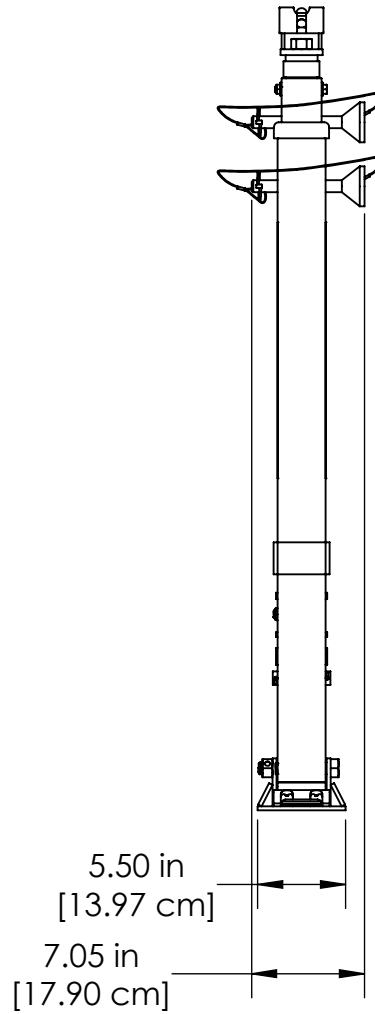
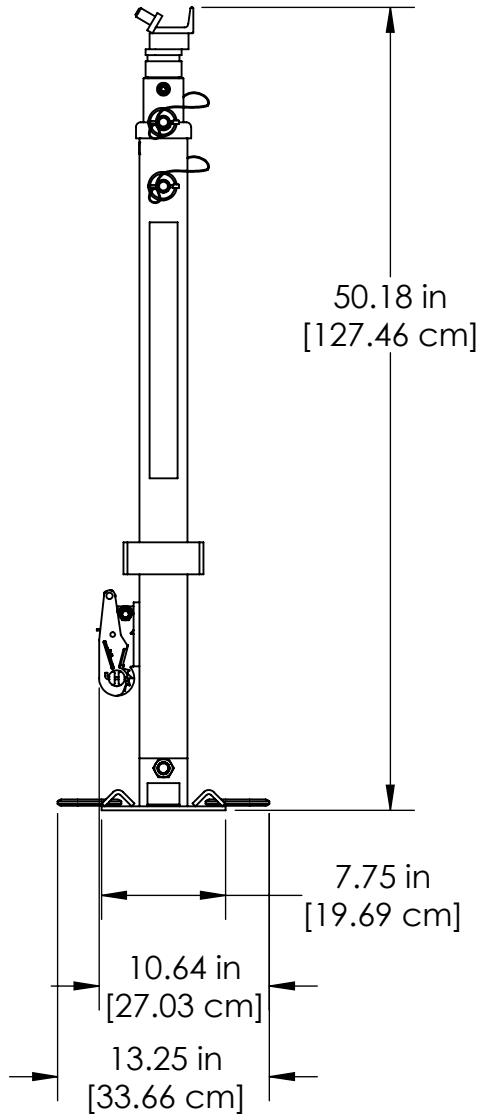
REV:
A



TITLE:
PHOENIX ALUMINUM X STRUT

PART NO.
ALX-STRT-PH

STORAGE



TECHNICAL DATA SHEET

DATE UPDATED:
9/27/2018

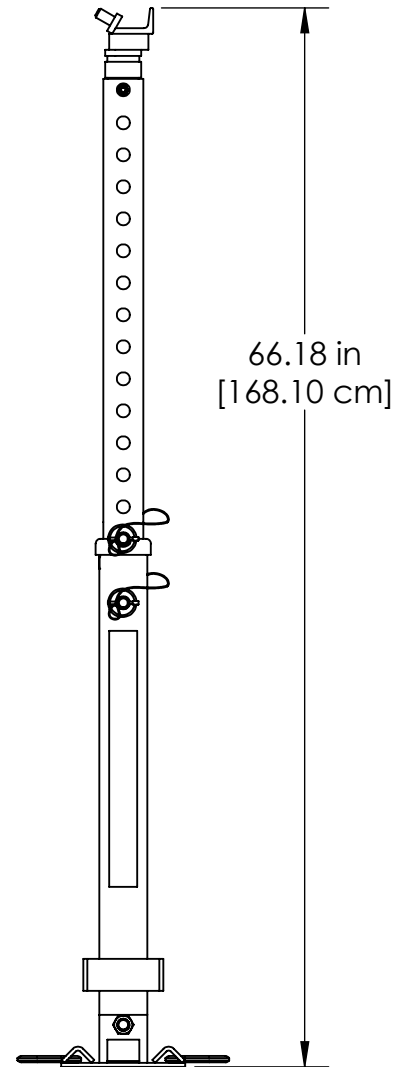
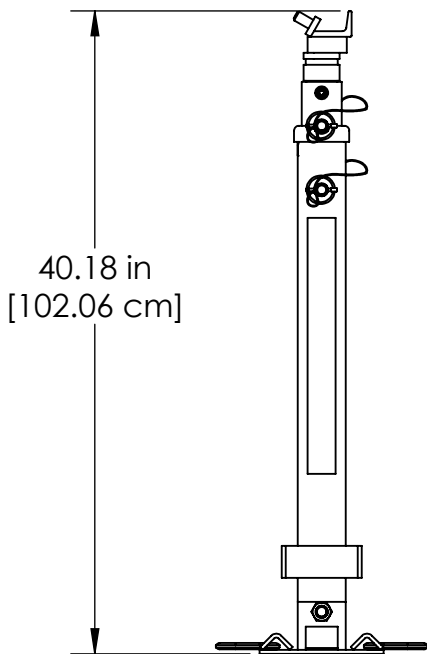
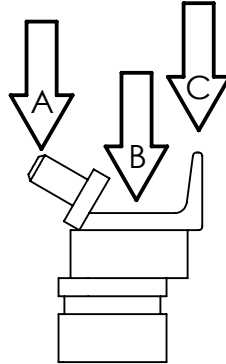
REV:
A



TITLE:
SHORT ALUMINUM X STRUT

PART NO.
SAX-STRT

LOAD RATING (2:1 SAFETY FACTOR)			
LOCATION		WLL (lbs)	WLL (kgs)
A	ROUND POINT	6,700	3,039
B	COLUMN	9,700	4,399
C	CHAIN GRAB	5,600	2,540



STRUT WEIGHT: 30 lbs/13.61 kg

TECHNICAL DATA SHEET

DATE UPDATED:
9/27/2018

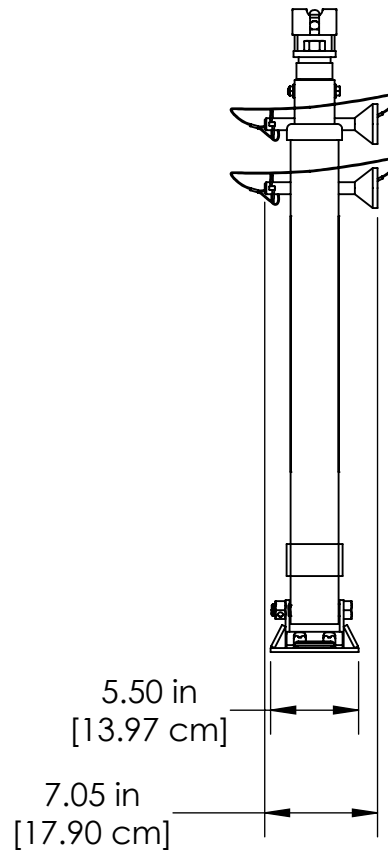
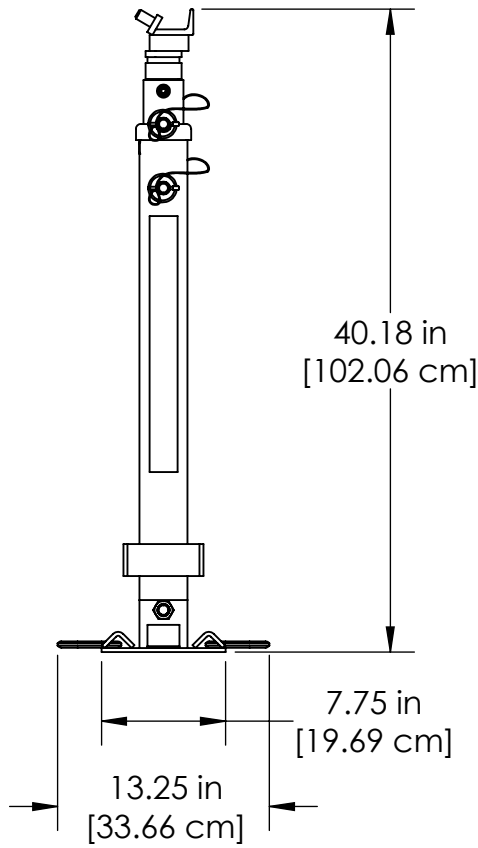
REV:
A



TITLE:
SHORT ALUMINUM X STRUT

PART NO.
SAX-STRT

STORAGE



TECHNICAL DATA SHEET

DATE UPDATED:
09/27/18

REV:
A

TITLE:
ALUMINUM X JACK

PART NO.
ALX-(D)JACK



LIFTING WLL: 6,000 LBS/2,721 KGS
TRAVEL: 12 IN/30.48 CM
WEIGHT: 25 LBS/11.34 KGS

